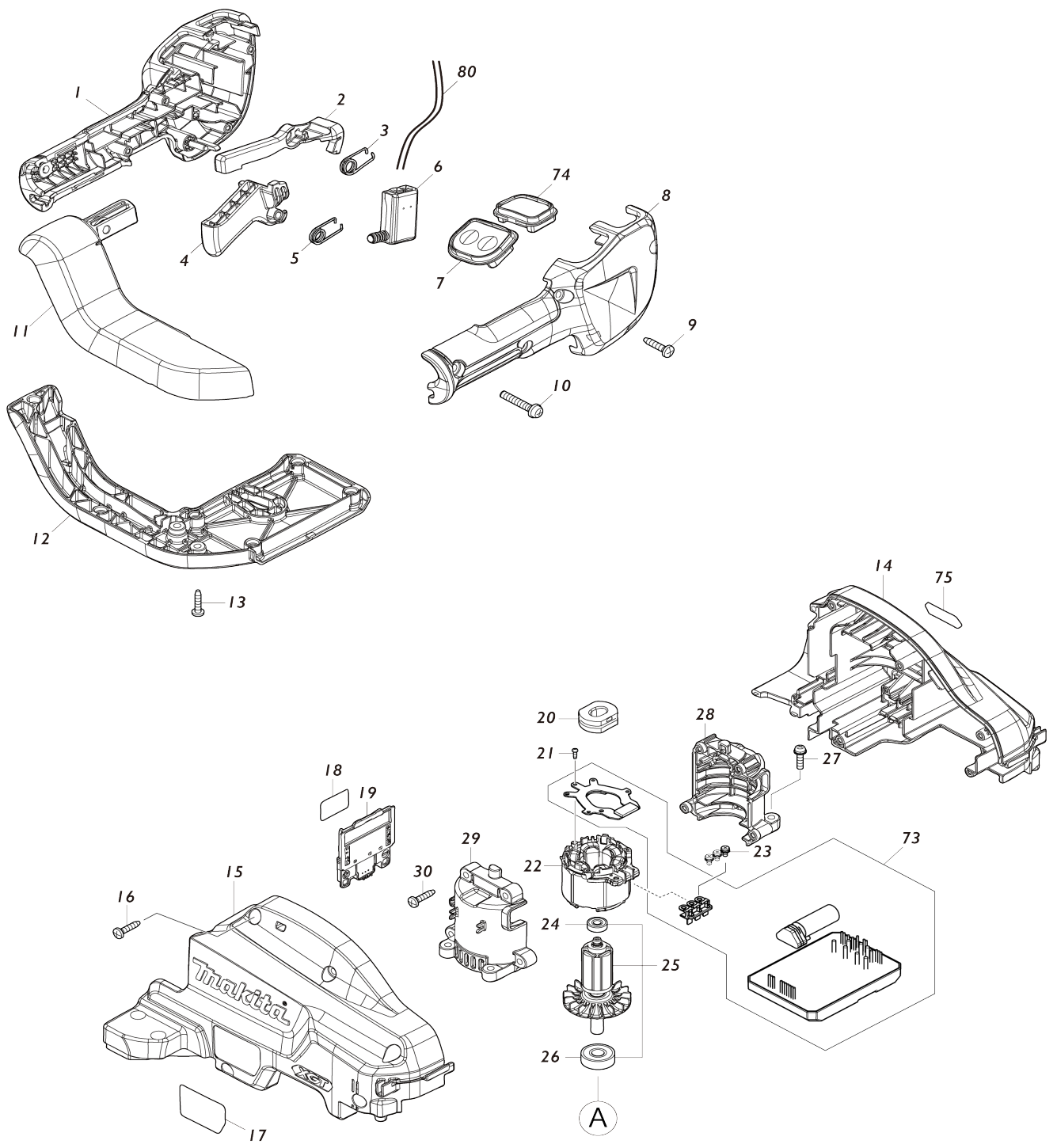
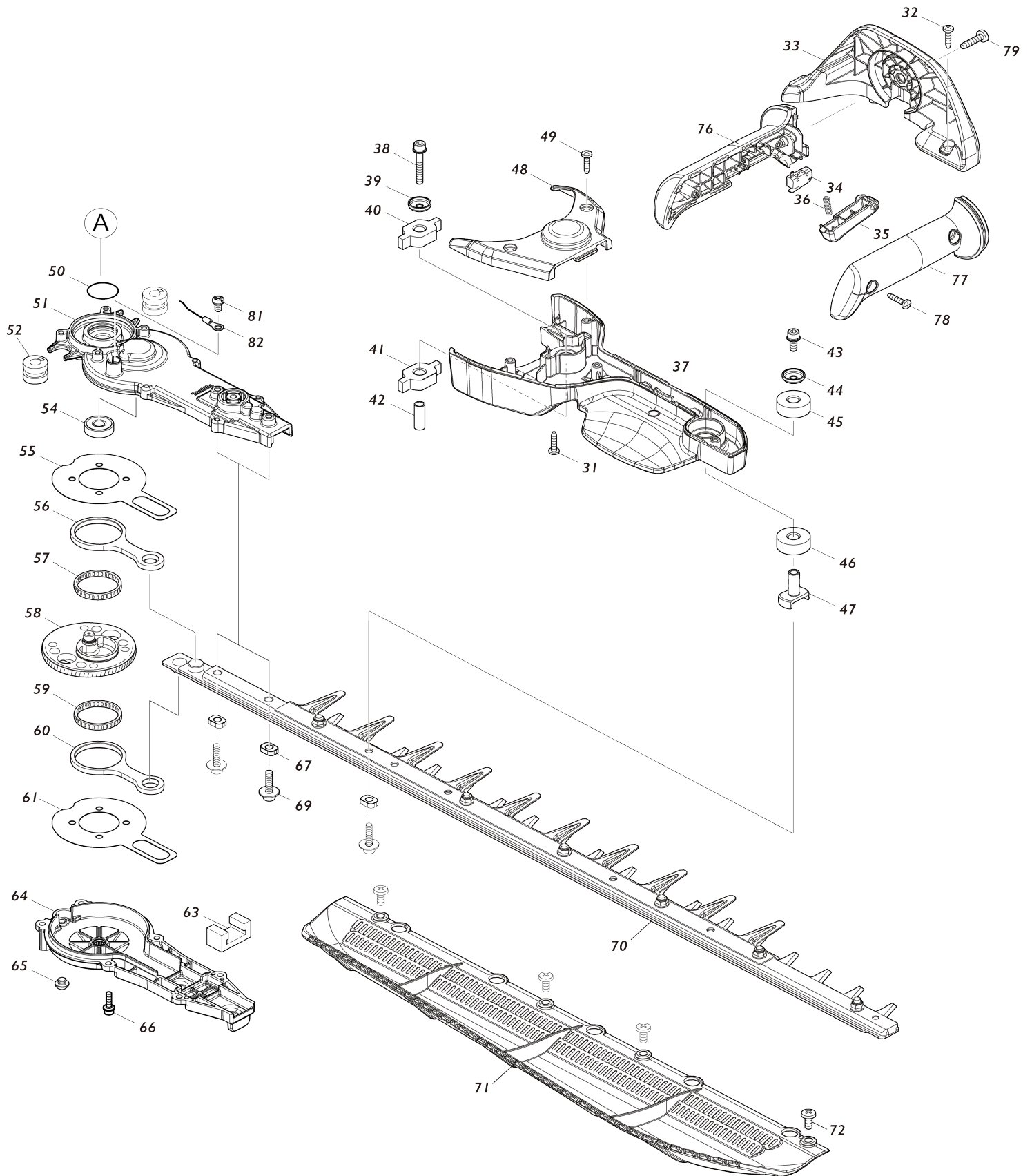


Model No.UH013G 600MM CORDLESS HEDGE TRIMMER



Model No.UH013G 600MM CORDLESS HEDGE TRIMMER



Model No.UH013G 600MM CORDLESS HEDGE TRIMMER

Obj. č.	Obj. č.	Popis	Možnost záměny	Množství	Nový/Stary	Poznámka 1	Poznámka 2
001	183U16-7	GRIP SET		1	*	dr	
C10	252180-0	HEX. LOCK NUT M5-8		1	*		
001		INC. 8			*		
001-1	1830S0-9	GRIP SET	O	1			
C10	252180-0	HEX. LOCK NUT M5-8		1			
001-1		INC. 8					
002	455629-1	LOCK OFF LEVER		1	*	z	
002-1	413Y35-6	LOCK OFF LEVER	O	1		z	
003	233621-5	TORSION SPRING 9		1		pru	
004	412315-7	SWITCH LEVER R		1		p	
005	233621-5	TORSION SPRING 9		1		pru	
006	651083-9	SWITCH C3XA-1PSPM		1		vyp	
007	141D66-6	SWITCH CIRCUIT COMPLETE E		1		vyp	
C10	8034K3-2	SWITCH LABEL		1			
008	183U16-7	GRIP SET		1	*	dr	
C10	252180-0	HEX. LOCK NUT M5-8		1	*		
008		INC. 1			*		
008-1	1830S0-9	GRIP SET	O	1			
C10	252180-0	HEX. LOCK NUT M5-8		1			
008-1		INC. 1					
009	266326-2	šroub 4x18=new265995-6		4			
010	911253-5	šroub M5x30		1			
011	413B85-3	GRIP JOINT E		1			
012	413B86-1	GRIP JOINT COVER E		1		kryt	
013	266326-2	šroub 4x18=new265995-6		8			
014	183U17-5	HOUSING SET		1		obal stroje	
C10	263005-3	vymezovací čep 6		2			
C20	424344-8	DAMPER		4			
014		INC. 15					
015	183U17-5	HOUSING SET		1		obal stroje	
C10	263005-3	vymezovací čep 6		2			
C20	424344-8	DAMPER		4			
015		INC. 14					
016	266326-2	šroub 4x18=new265995-6		5			
017	8113A3-2	UH013G NAME PLATE		1			
018	8113A9-0	UH013G SERIAL NO. LABEL		1			
019	632P75-3	TERMINAL UNIT		1			
020	422261-6	RUBBER SLEEVE		1		guma	
021	266490-9	TAPPING SCREW PT 2X6		3			
022	629A75-2	STATOR		1		stator	
023	652069-6	FLAT HEAD SCREW M3X6		3			
024	211157-4	BALL BEARING 695ZZ		1		lo	
025	519693-7	ROTOR ASSY		1		rotor UH013G/UH014 G	
025		INC. 24,26					
026	210005-4	kulič. ložisko 608DDW = old 2110 31-6		1		kuli	
027	911128-8	P.H.SCREW M4X16 WITH WR		4			
028	183S94-5	MOTOR HOUSING SET		1		obal motoru	

028		INC. 29				
029	183S94-5	MOTOR HOUSING SET		1		obal motoru
029		INC. 28				
030	266326-2	šroub 4x18=new265995-6		4		
031	266326-2	šroub 4x18=new265995-6		6		
032	266326-2	šroub 4x18=new265995-6		2		
033	413B91-8	FRONT GRIP RETAINER A		1		podlo
034	632T12-1	SWITCH UNIT		1		vyp
035	413B87-9	SWITCH LEVER F		1		p
036	232353-1	COMPRESSION SPRING 4		1		
037	141G33-9	FRONT GRIP BASE COMPLETE		1	*	p
C10	8034N8-3	CAUTION LABEL		1	*	
037-1	1410D2-6	FRONT GRIP BASE COMPLETE	O	1		
C10	8074J9-5	CAUTION LABEL		1		
038	251476-6	H.S.H.BOLT M5X35 WITH WR		1	*	
038-1	265D13-4	H.S.H.BOLT M5X35 WITH WRM	O	1		
039	253544-1	CUP WASHER 5		1		podlo
040	422260-8	RUBBER SLEEVE 8		1		guma
041	422260-8	RUBBER SLEEVE 8		1		guma
042	257678-2	SLEEVE 6		1		pouzdro
043	922218-2	H.S.H.BOLT M5X14 WITH WR		1		
044	253544-1	CUP WASHER 5		1		podlo
045	422813-3	RUBBER SLEEVE 8		1		guma
046	422813-3	RUBBER SLEEVE 8		1		guma
047	327919-1	CONNECTOR		1		konektor
048	413B95-0	FRONT GRIP COVER		1		p
049	266326-2	šroub 4x18=new265995-6		2		
050	213961-7	O RING 22		1		
051	141J44-2	GEAR HOUSING COMPLETE		1		pouzdro p
C10	263002-9	vymezovací čep 4		1		
C20	424344-8	DAMPER		1		
052	422725-0	RUBBER SLEEVE 8		2		pouzdro
054	210223-4	BALL BEARING 608ZZ		1		lo
055	347361-0	FRICTION PLATE		1		deska
056	347662-6	CONNECTING ROD		1		ty
057	212229-8	NEEDLE CAGE 315		1		lo
058	141C40-8	GEAR COMPLETE		1		p
059	212229-8	NEEDLE CAGE 315		1		lo
060	347662-6	CONNECTING ROD		1		ty
061	347361-0	FRICTION PLATE		1		deska
063	443159-4	SEAL		1		veden
064	141H42-4	GEAR HOUSING COVER COMPLETE		1		obal p
065	266559-9	H.S.BUTTON HEAD BOLT M6X4		1		
066	922128-3	šroub imbus = old 266178-1		6		
067	310983-9	SLEEVE 5		3		
069	265A89-3	H.S.H.BOLT M5X25 WITH WR		3		
070	191Y03-6	SHEAR BLADE 600E SET		1		
C10	188605-7	OIL VESSEL SET		1		
C20	310983-9	SLEEVE 5		3		
C30	347962-4	GUARD		1		
071	191D33-1	CHIP RECEIVER 600E SET		1		

072	265B57-2	BINDING HEAD SCREW M5X12		4			
073	620G86-6	CONTROLLER		1	*	elektronika komplet UH013G/UH014G	
C10	688163-8	filtr		1	*	filtr AH3756 DCU180 DHS630 DHS710 DLM 460 DSS610 DTW190 DUH551 DUH651	
073-1	620P63-2	CONTROLLER	<	1			
C10	688163-8	filtr		1		filtr AH3756 DCU180 DHS630 DHS710 DLM 460 DSS610 DTW190 DUH551 DUH651	
074	140W63-3	INDICATION CIRCUIT COMPLETE		1		okruh	
075	8025F3-0	XGT LOGO LABEL		1			
076	183U18-3	FRONT GRIP SET		1		p	
076		INC. 77					
077	183U18-3	FRONT GRIP SET		1		p	
077		INC. 76					
078	266326-2	šroub 4x18=new265995-6		2			
079	266420-0	TAPPING SCREW 5X20		1			
080	638A24-8	LEAD UNIT		1		okruh	
081	652014-1	Pan Head Screw M4x8		1		pan Head Screw M4x 8	
082	638A25-6	LEAD UNIT		1		okruh	
A01	413B98-4	BLADE COVER 600		1			
A02	***DC40RA	DC40RA FAST CHARGER		1			
A02		COMPO-PARTS					
A03	191B26-6	BATTERY BL4040 SET		1			
E01	891003-3	SOUND 93DB LABEL		1			
F01	191D33-1	CHIP RECEIVER 600E SET		1			
F02	191Y03-6	SHEAR BLADE 600E SET		1			
F03	199450-5	GREASE VESSEL SET		1			

Prosím uveďte objednáč. číslo dílu v objednávce

Datum tisku 06. 11. 2024