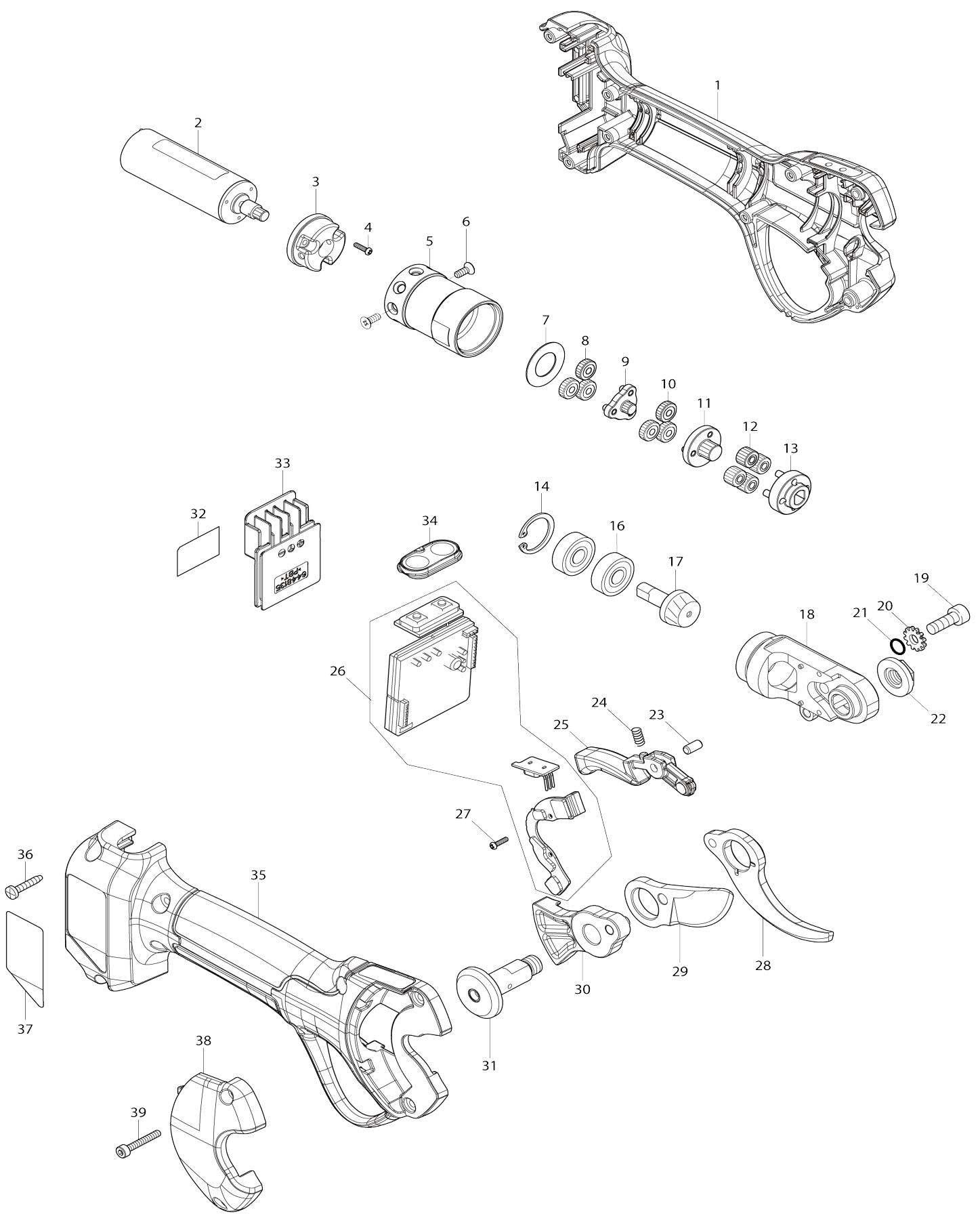


Model No.UP100D CORDLESS PRUNING SHEARS



Model No.UP100D CORDLESS PRUNING SHEARS

Obj. č.	Obj. č.	Popis	Možn ost zá měny	Množ ství	Nový/ Starý	Poznámka 1	Poznámka 2
001	183Y33-1	HOUSING SET		1		obal stroje	
C10	8065E6-9	INDICATION LABEL		1			
C20	8065E7-7	INDICATION LABEL		1			
001		INC. 35					
002	629C07-1	DC MOTOR		1		motor	
003	312D98-2	MOTOR HOLDER		1		dr	
004	265D05-3	PAN HEAD SCREW M2X8		3			
005	227A61-3	INTERNAL GEAR 43		1		ozuben	
006	912007-3	C.H.SCREW M3X8		2			
007	253084-9	podložka 12		1		podlo	
008	227A64-7	SPUR GEAR 17		3		ozuben	
009	162C36-6	SPUR GEAR 8 B COMPLETE		1		ozuben	
010	227A64-7	SPUR GEAR 17		3		ozuben	
011	162C37-4	SPUR GEAR 13 COMPLETE		1		ozuben	
012	227A63-9	SPUR GEAR 14		4		ozuben	
013	162C31-6	SUPPORTER COMPLETE		1		podp	
014	962059-4	RETAINING RING (INT) R-19		1		vymezovac	
016	210017-7	kuličkové ložisko 607DDW = old 922056		2		kuli	
017	227A60-5	ZEROL BEVEL GEAR 9		1		ozuben	
018	327B57-1	GEAR HOUSING		1		obal p	
019	922217-4	šroub M5x14 = old 911218-7		1			
020	253578-4	LOCK PLATE		1		deska	
021	213021-5	o-kroužek 5		1		o-krou	
022	252321-8	HEX. NUT M8		1		matka	
023	256251-5	čep 4 ,old 175025,203026		1			
024	233033-2	pružina UC3020A		1		pru	
025	162C32-4	TRIGGER COMPLETE		1		spou	
026	620K67-4	CONTROLLER		1	*	ovl	
026-1	620N17-7	CONTROLLER	<	1		ovl	
027	265D05-3	PAN HEAD SCREW M2X8		2			
028	1911W1-7	SHEAR BLADE L SET		1		no	
029	1911W2-5	SHEAR BLADE U SET		1		no	
030	162C33-2	BLADE HOLDER COMPLETE		1		dr	
031	162C35-8	SHOULDER SCREW M8 COMPLETE		1			
032	8586G2-3	UP100D SERIAL NO. LABEL		1			
033	644813-5	TERMINAL		1		terminal	
034	162C34-0	SWITCH PLATE COMPLETE		1		vypina	
C10	8065E5-1	SWITCH LABEL		1			
035	183Y33-1	HOUSING SET		1		obal stroje	
C10	8065E6-9	INDICATION LABEL		1			
C20	8065E7-7	INDICATION LABEL		1			
035		INC. 1					
036	266130-9	šroub PT 3X		6			
037	8586U1-3	UP100D NAME PLATE		1			
038	162C42-1	HOUSING COVER COMPLETE		1	*	obal komplet	
C10	8065E8-5	CAUTION LABEL		1	*		
038-1	1410T1-0	HOUSING COVER COMPLETE	<	1			

C10	8065E8-5	CAUTION LABEL		1		
039	265633-0	HEX SOCKET HEAD BOLT M3X20		2		
A01	782212-4	klíč 13		1		kl
A02	783202-0	klíč inbus 4		1		kl
A03	783208-8	klíč imbus 2.5		1		kl
A04	162C23-5	HOLSTER		1		
A05	1912E4-1	DRESSER STONE SET		1		
A06	182470-6	oil suply		1	*	olejni
A08	***DC10SB	DC10SB BATTERY CHARGER		1		
A08		COMPO-PARTS				
A09	197406-2	BATTERY BL1041B SET		1		
A10	8066L1-4	UP100DSMJ INDICATION LABEL		1		
A11	8066L2-2	UP100DSMJ PLASTIC CASE LABEL		2		
A12	821550-0	systainer Makpac 395x295x157 mm		1		
C10	453974-8	LATCH		4		spona Makpacu
A13	8357T7-7	INNER TRAY		1		

Prosím uveďte objednáací číslo dílu v objednávce

Datum tisku 06. 11. 2024