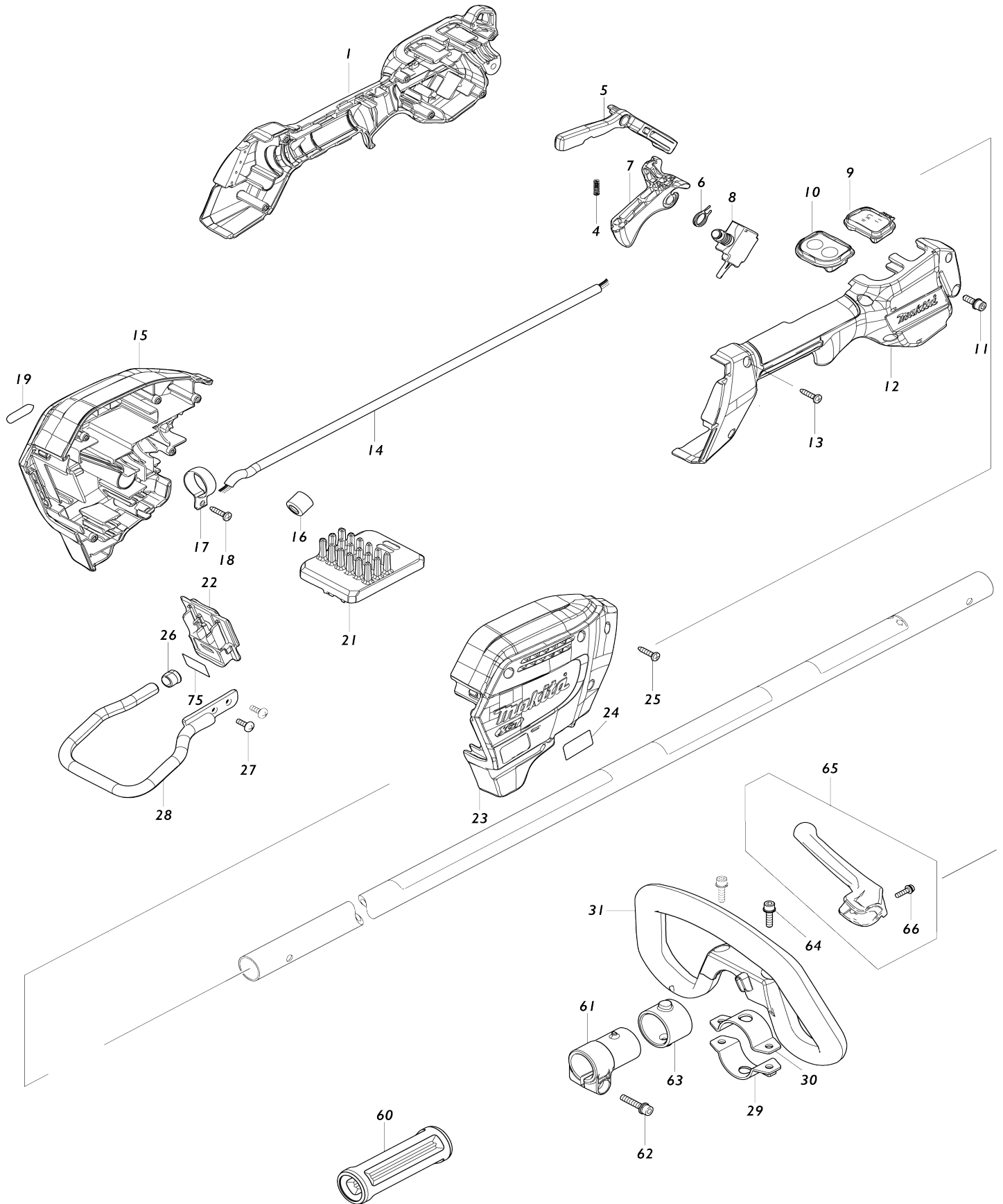
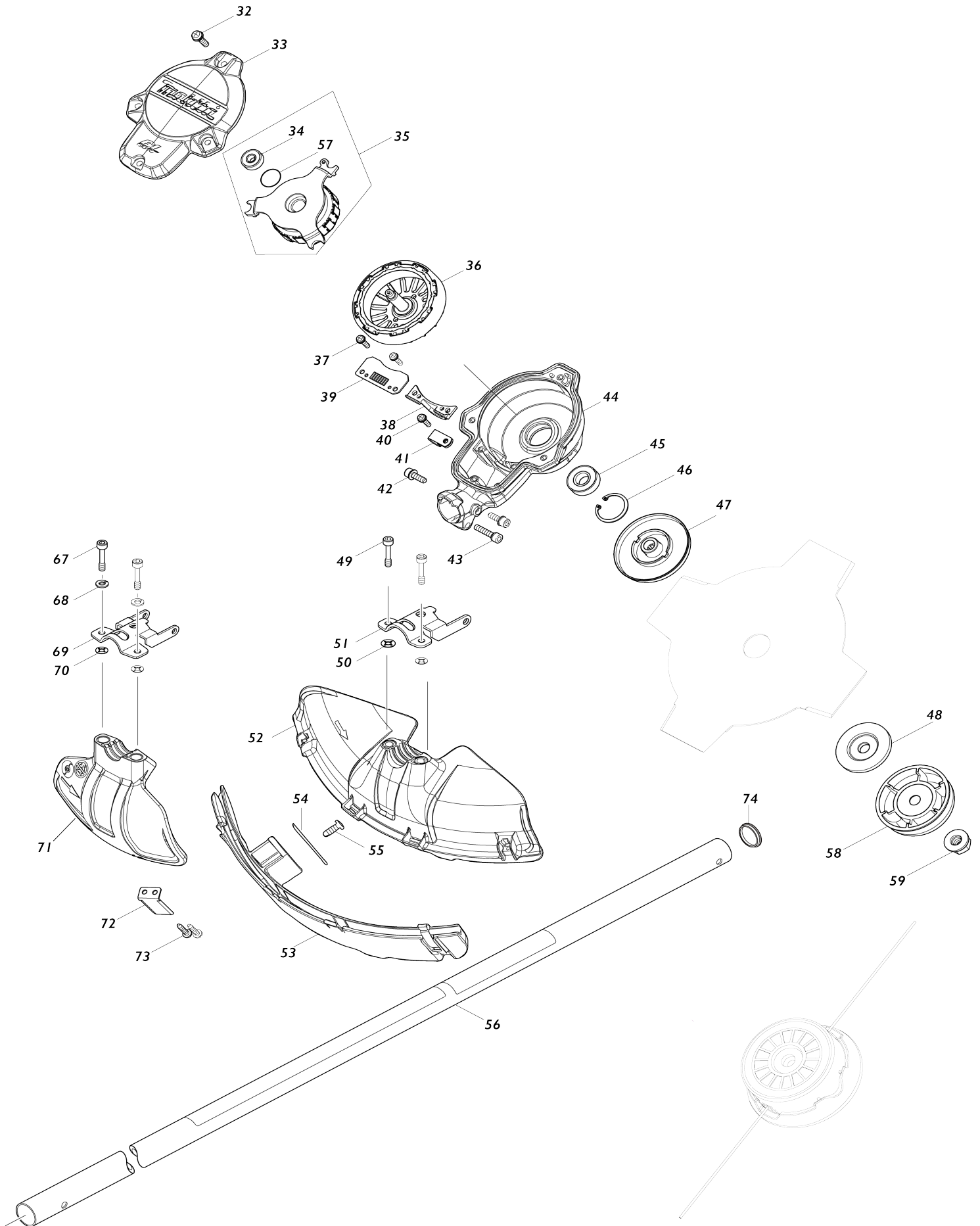


# Model No.UR003G CORDLESS GRASS TRIMMER



# Model No.UR003G CORDLESS GRASS TRIMMER



**Model No.UR003G CORDLESS GRASS TRIMMER**

Obj. č.	Obj. č.	Popis	Možn ost zá měny	Množ ství	Nový/ Starý	Poznámka 1	Poznámka 2
001	183S36-9	GRIP SET		1		dr	
001		INC. 12					
004	233101-1	vinutá pružina 4		1		vinut	
005	459759-0	LOCK OFF LEVER		1		p	
006	233622-3	TORSION SPRING 12		1		pru	
007	459758-2	SWITCH LEVER		1		p	
008	651492-2	SWITCH C3JR-1A-PAXD3		1		vyp	
009	141B31-3	INDICATION CIRCUIT COMPLETE		1		ukazatel	
010	140W06-5	SWITCH CIRCUIT COMPLETE G		1			
C10	819J26-9	SWITCH LABEL		1			
011	922233-6	H.S.H.BOLT M5X20 WITH WR		1			
012	183S36-9	GRIP SET		1		dr	
012		INC. 1					
013	266326-2	šroub 4x18=new265995-6		6			
014	699159-4	POWER SUPPLY CORD UNIT		1		kabel	
015	183S34-3	HOUSING SET		1		obal stroje	
C10	263005-3	vymezovací čep 6		2			
015		INC. 23					
016	688163-8	filtr		1		filtr AH3756 DCU180 DHS630 DHS710 DLM 460 DSS610 DTW190 DUH551 DUH651	
017	346248-3	CLAMP 24		1		spona 24	
018	266326-2	šroub 4x18=new265995-6		1			
019	8012U4-2	XGT LOGO LABEL		1			
021	620E47-4	CONTROLLER		1	*	ovl	
021-1	620J66-0	CONTROLLER	S	1	*	ovl	
021-2	620K62-4	CONTROLLER	S	1			
022	632P49-4	TERMINAL UNIT		1		termin	
023	183S34-3	HOUSING SET		1		obal stroje	
C10	263005-3	vymezovací čep 6		2			
023		INC. 15					
024	811A61-9	UR003G NAME PLATE		1			
025	266326-2	šroub 4x18=new265995-6		5			
026	422230-7	CAP		1			
027	266420-0	TAPPING SCREW 5X20		2			
028	347752-5	BATTERY GUARD		1		kryt	
029	347114-7	LOWER CLAMP 35		1		spona	
030	347113-9	UPPER CLAMP 35		1		spona	
031	457267-5	LOOP HANDLE		1		dr	
C10	263005-3	vymezovací čep 6		1			
032	911233-1	šroub M5x20		4			
033	413335-4	TOP COVER		1		kryt	
034	210062-2	ložisko MT952		1		kuli	
035	529146-8	STATOR ASS'Y		1	*	stator=new520136-4	
035		INC. 34,57			*		
035-1	520136-4	STATOR ASS'Y	S	1	*	stator=new520135-6	
035-1		INC. 34,57			*		
035-2	520152-6	STATOR ASS'Y	S	1			

035-2		INC. 34,57				
036	619462-7	ROTOR		1		rotor DUR365 DUR366 DUR368
037	911128-8	P.H.SCREW M4X16 WITH WR		2		
038	455628-3	INNER COVER		1		kryt
039	620E48-2	CONTROLLER B		1	*	ovl
039-1	620J62-8	CONTROLLER B	S	1		ovl
040	911128-8	P.H.SCREW M4X16 WITH WR		1		
041	687042-7	držák kabelu		1		podp
042	922223-9	H.S.H.BOLT M5X16 WITH WR		2		
043	922241-7	HEX. SOCKET HEAD BOLT M5X25		1		
044	141A05-8	MOTOR HOUSING COMPLETE		1		obal motoru
045	211131-2	kuličkové ložisko 6001DDW =old 922041		1		lo
046	962106-1	RETAINING RING R-28		1		krou
047	140L84-9	RECEIVE WASHER COMPLETE G		1		podlo
048	346084-7	podložka MS335.4U		1		
049	266896-1	HEX. SOCKET HEAD BOLT M5X20		2		
050	261156-6	POLYPROPYLENE WASHER 4		2		podlo
051	346785-7	PROTECTOR CLAMP		1		spona DUR365
052	413336-2	PROTECTOR		1		chr
053	141A09-0	PROTECTOR U EXT. 350 COMPLETE		1		chr
054	347115-5	CUTTER		1		n
055	266388-0	TAPPING SCREW 5X16		1		
056	141B05-4	PIPE COMPLETE O		1		trubka
C10	819312-8	MAKITA LOGO LABEL		1		
C20	819J22-7	CAUTION LABEL		1		
057	213325-5	O RING 19		1		o krou
058	168526-9	miska MS335.4U		1		miska MS335.4U
059	264025-0	matka		1		matka
060	451601-1	SPACER 24		1		
061	457269-1	PIPE HOLDER 24		1		dr
062	922244-1	H.S.H.BOLT M5X25 WITH WG		1		
063	424942-8	DAMPER		1		tlumi
064	922234-4	H.S.H.BOLT M5X20 WITH WG		2		
065	144315-6	BARRIER COMPLETE		1		zar
065		INC. 66				
066	911128-8	P.H.SCREW M4X16 WITH WR		1		
074	422727-6	RUBBER CAP 24		1		v
075	811A67-7	UR003G SERIAL NO. LABEL		1		
A01	127508-0	BAND ASS'Y		1		
A02	198893-8	CUTTER ASSEMBLY 95-M10L SET ME		1		
A03	783013-3	BOX DRIVER 16-17		1		
A04	783202-0	klíč inbus 4		1		kl
A05	831304-7	ACCESSORY BAG		1		
A06	126642-3	PLASTIC BLADE ASSEMBLY255-M10L		1		
A07	195150-5	CUTTER BLADE SET		1		
A08	456924-2	TOOL COVER		1		
E01	8030T4-9	SOUND XXDB LABEL		1	*	
E01-1	807E85-5	SOUND 92DB LABEL	<	1		

F09	197472-9	NYLON CORD 2.0-15M SET		1			
F10	197473-7	NYLON CORD 2.0-30M SET		1			
F11	197474-5	NYLON CORD 2.0-160M SET		1			
F12	197475-3	NYLON CORD 2.0-280M SET		1			
F17	198502-9	NYLON CORD 2.4-30M SET		1			
F18	198503-7	NYLON CORD 2.4-120M SET		1			
F19	198504-5	NYLON CORD 2.4-180M SET		1			
F47	1915D8-4	TRIMMER HEAD 96-M10L SET		1			
F48	1914R8-6	TRIMMER HEAD ASSEMBLY 98-M 10L		1			

Prosím uveďte objednáací číslo dílu v objednávce

Datum tisku 06. 11. 2024