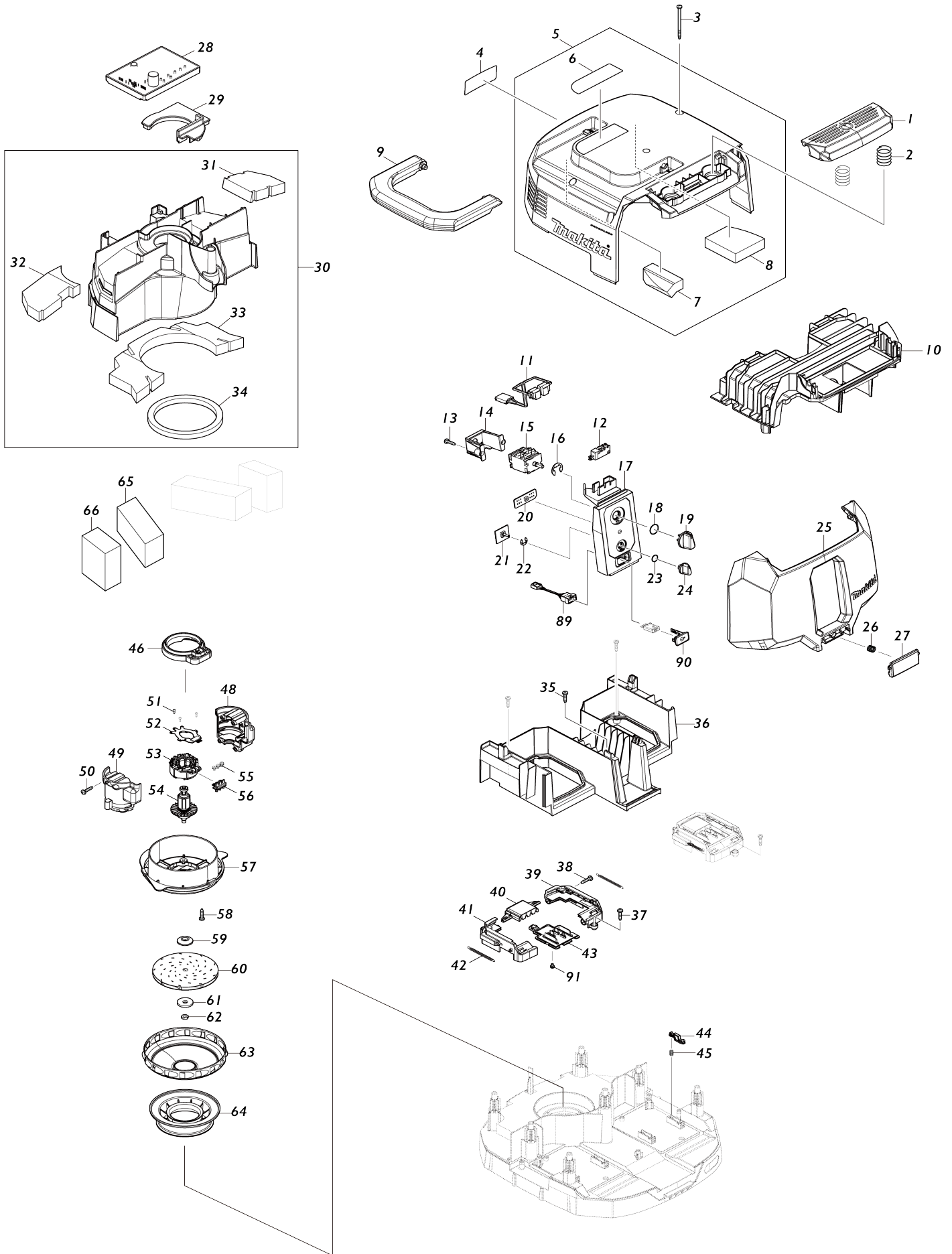
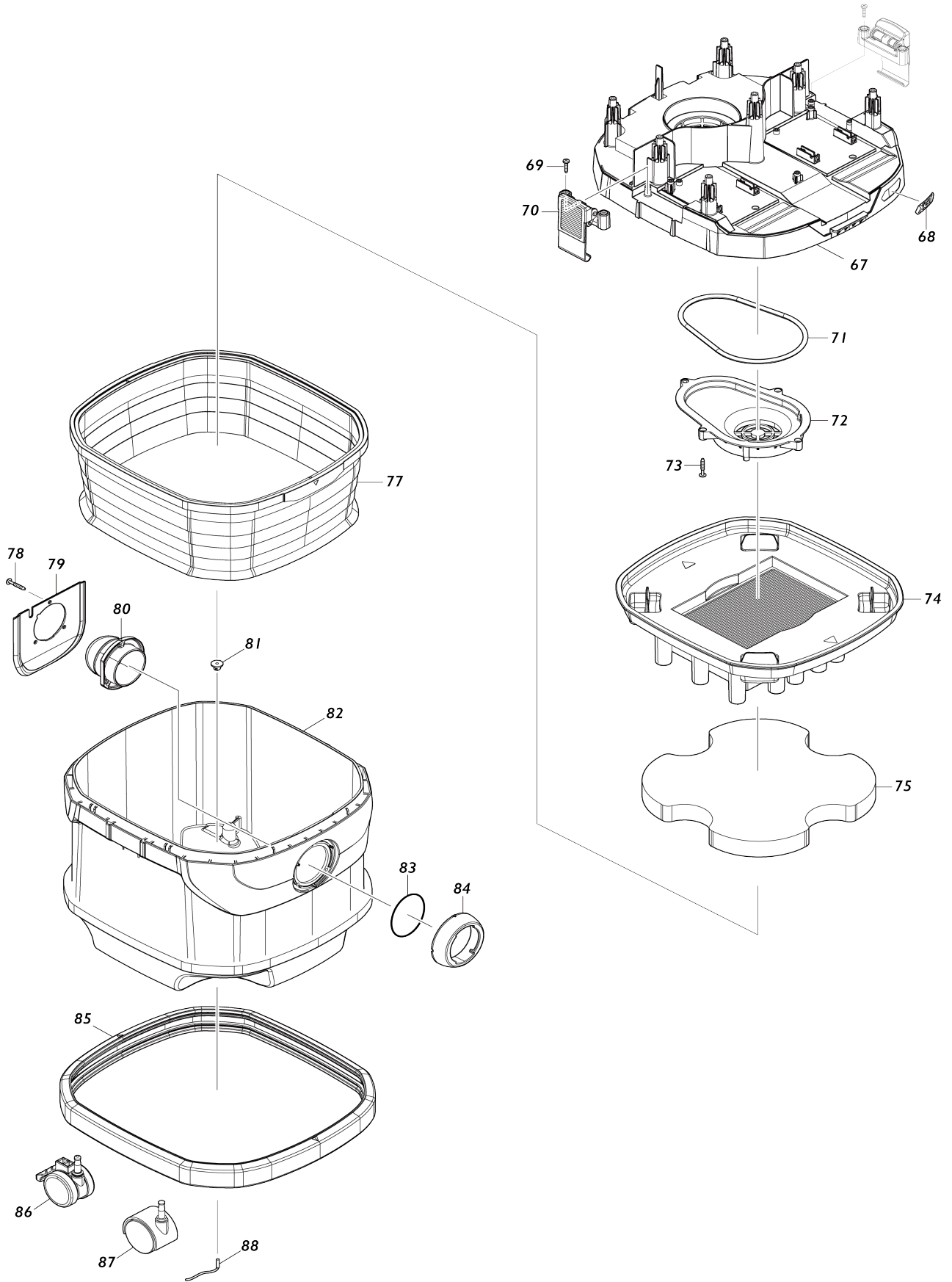


Model No.VC004GL CORDLESS VACUUM CLEANER



Model No.VC004GL CORDLESS VACUUM CLEANER



Model No.VC004GL CORDLESS VACUUM CLEANER

Obj. č.	Obj. č.	Popis	Možnost záměny	Množství	Nový/Starý	Poznámka 1	Poznámka 2
001	413B26-9	SWITCH BUTTON		1			
002	234273-5	COMPRESSION SPRING 20		2		pru	
003	266340-8	TAPPING SCREW 4X65		7			
004	8112M5-6	VC004GL NAME PLATE		1			
005	141F80-4	COWLING COMPLETE		1			
005		INC. 6-8					
006	813A18-6	CAUTION LABEL		1			
007	422796-7	TOP DAMPER A		1			
008	422797-5	TOP DAMPER B		1			
009	413B27-7	GRIP		1		rukoje	
010	413B33-2	UPPER HOUSING		1			
011	638A19-1	LEAD UNIT		1		elektronika VC002/00 4G	
012	651910-0	SWITCH D2VW-01-3HS		1		vyp	
013	266326-2	šroub 4x18=new265995-6		2			
014	451343-7	SWITCH HOLDER		1		dr	
015	650014-5	SWITCH 1703.4803		1		vyp	
016	961062-2	STOP RING E-12		1		pru	
017	141F76-5	SWITCH BASE COMPLETE		1		z	
C10	8040N0-8	INDICATION LABEL		1			
018	213176-6	o kroužek		1		o krou	
019	455733-6	SWITCH LEVER		1			
020	620F40-4	INDICATION CIRCUIT		1		elektronika VC001-00 5G	
021	620D39-7	SUB CONTROLLER		1		ovl	
022	961013-5	zajišťovací kroužek		1		zaji	
023	213054-0	o-kroužek 9		1		o-krou	
024	451344-5	SWITCH DIAL		1			
025	413B29-3	BATTERY COVER		1			
026	231456-8	COMPRESSION SPRING 7		1			
027	413B30-8	BATTERY COVER HOOK		1			
028	620F38-1	CONTROLLER		1		elektronika VC002/00 4G	
029	422795-9	RUBBER CAP		1			
030	141F84-6	SEPARATOR COMPLETE		1			
030		INC. 31-34					
031	422802-8	BAND DUMPER E		1			
032	422801-0	BAND DUMPER D		1			
033	422799-1	BAND DUMPER B		1			
034	422804-4	SEAL A		1			
035	266326-2	šroub 4x18=new265995-6		3			
036	413B31-6	LOWER HOUSING		1			
037	266326-2	šroub 4x18=new265995-6		4			
038	266326-2	šroub 4x18=new265995-6		4			
039	183U06-0	TERMINAL CASE SET		2		dr	
039		INC. 41					
040	413B40-5	TERMINAL COVER		2		kryt kontaktu VC001 G	
041	183U06-0	TERMINAL CASE SET		2		dr	

041		INC. 39				
042	232722-6	TENSION SPRING 4		4		pru
043	632T08-2	TERMINAL UNIT		2		patice VC001-005G
044	413B41-3	LOCK LEVER		4		
045	232472-3	COMPRESSION SPRING 2		4		pru
046	422794-1	RUBBER RING		1		
048	183U05-2	MOTOR HOUSING SET		1		
048		INC. 49				
049	183U05-2	MOTOR HOUSING SET		1		
049		INC. 48				
050	266326-2	šroub 4x18=new265995-6		4		
051	266490-9	TAPPING SCREW PT 2X6		3		
052	620F39-9	CONTROLLER B		1		elektronika VC001-005G
053	629A83-3	STATOR		1		stator VC001-005G
054	619704-9	ROTOR		1		rotor VC001-005G
055	652069-6	FLAT HEAD SCREW M3X6		3		
056	632S88-2	LEAD UNIT		1		elektronika VC001-005G
057	413B45-5	FAN BASE		1		kryt motoru VC001-005G
058	266326-2	šroub 4x18=new265995-6		3		
059	313062-2	FLANGE		1		p
060	240178-9	FAN 104		1		ventil
061	253752-4	042086		1		042086
062	252268-6	HEX. NUT M6		1		
063	347171-5	FAN COVER		1		
064	422793-3	SUPPORT RING		1		
065	422803-6	REAR BLOCK FILTER A		2		zadn
066	422819-1	REAR BLOCK FILTER B		2		zadn
067	141F83-8	TANK COVER COMPLETE		1		
C10	422798-3	BAND DUMPER A		1		
068	8030S0-0	XGT LOGO LABEL		1		
069	266326-2	šroub 4x18=new265995-6		4		
070	162A10-2	HOOK COMPLETE		2		spona komplet VC001-005G
071	422805-2	SEAL RING		1		t
072	413B22-7	LOWER TANK COVER		1		
073	266374-1	šroub 4x25		4		
074	191V70-3	POWDER FILTER H SET		1		
075	191V68-0	DAMPER SET		1		klec filtru VC002/004G
077	191V69-8	PRE FILTER SET		1		
078	266374-1	šroub 4x25		3		
079	457853-2	HOLDER PLATE		1		
080	457852-4	HOLDER		1		
081	421468-1	CORD SEAL		1		
082	457855-8	TANK		1		
083	213655-4	o-kroužek 56		1		o-krou
084	457851-6	INLET		1		
085	422176-7	BUMPER		1		
086	168535-8	CASTER 50		2		kolo
087	168434-4	CASTER 50		2		v

088	649150-2	EARTH LINE 120		1		
089	632L47-4	CONNECTOR UNIT		1		konektor
090	140G18-2	CAP COMPLETE		1		v
C10	213A05-9	O-RING16		1		o krou
C20	818F57-1	CAP LABEL		1		
091	652031-1	PAN HEAD SCREW M3X6		4		
A01	199455-5	NOZZLE ASSEMBLY SET		1		
A02	195433-3	hadice 28-3.5 Set VC3210L		1		
C10	417191-4	CUFF LOCK		1		
C20	417586-1	STOPPER		1		
C30	417662-1	SLEEVE		1		
C40	417766-9	FRONT CUFF 38		1		
C50	417765-1	adaptér 22 VC3210L =new 1955 47-8		1		
C60	424379-9	adaptér 24 VC3210L =new19554 6-0		1		
A03	195434-1	hadice 38/3500mm VC3210L		1		
C10	417191-4	CUFF LOCK		1		
C20	417306-3	SLEEVE		2		
C30	417307-1	FRONT CUFF		1		
C40	417586-1	STOPPER		2		
A04	195432-5	POLY BAG SET(650X650)		1		
A05	198900-7	WIRELESS UNIT SET		1	*	
A05-1	198900-7	WIRELESS UNIT SET	<	1	*	
A05-2	198900-7	WIRELESS UNIT SET	O	1	*	
A05-3	198900-7	WIRELESS UNIT SET	<	1		
A06	192563-1	rovná trubka VC3210L		1		
A07	192562-3	zahnutá trubka VC3210L		1		
A08	410306-2	štěrbínová hubice VC3210L		1		
A09	413B37-4	MULTI HOOK		1		
A10	451350-0	uzávěr VC3210L		1		
A11	911138-5	P.H.SCREW M4X20 WITH WR		1		
A12	195547-8	adaptér=old417765-1		1		
A13	195546-0	FRONT CUFF 24 SET		1		
E01	891978-6	CAUTION LABEL		1		
F15	191E30-3	FLEXIBLE HOSE SET(LOCK)		1		
F17	191G87-6	NOZZLE ASSEMBLY SET		1		
F18	191G89-2	TELESCOPIC PIPE SET		1		
F19	191M77-5	JOINT A 32 SET		1		
F20	191M78-3	JOINT B 35 SET		1		
F21	191M79-1	JOINT C 38 SET		1		
F23	191V68-0	DAMPER SET		1		klec filtru VC002/004 G
F24	191V69-8	PRE FILTER SET		1		
F25	191V70-3	POWDER FILTER H SET		1		
F28	192236-6	TAPERED NOZZLE SET		1		
F34	195435-9	HOSE COMPLETE 38-5 SET		1		
F35	195436-7	HOSE COMPLETE 28-5 SET		1		
F36	195437-5	HOSE COMPLETE 28-2.5 SET		1		
F38	195545-2	adaptér		1		
F39	195546-0	FRONT CUFF 24 SET		1		
F40	195547-8	adaptér=old417765-1		1		

F41	195548-6	JOINT 22-38 SET		1		
F42	195549-4	T-NOZZLE ASSY A SET(DRY)38		1		
F44	195551-7	zemní hubice VC3210L		1		
F45	195557-5	FILTER BAG SET 15L(5PCS)		1	*	
F45-1	195557-5	FILTER BAG SET 15L(5PCS)	O	1		
F49	198184-7	F/C SWITCHING T-NOZZLE 38		1		
F53	198529-9	FLOOR/CARPET T-NOZZLE BLK E U		1		
F55	198533-8	F/C SWITCHING T-NOZZLE 38 EU		1		
F56	198540-1	SHELF BRUSH SET28 BLK EU		1		
F57	198555-8	ROUND BRUSH SET 28 BLK EU		1		
F59	198560-5	TELESCOPIC PIPE SET 28 EU		1		
F60	198730-6	MAKPAC ADAPTER SET		1	*	
F62	198873-4	SHELF BRUSH SET28 WHI		1		
F63	198878-4	ROUND BRUSH SET 28 WHI		1		
F64	198919-6	LONG SASH NOZZLE SET 28 WHI		1		
F65	198992-6	LONG SASH NOZZLE SET 28 BLK		1		
F66	199038-1	SEAT NOZZLE SET 28 WHI		1		
F67	199039-9	SEAT NOZZLE SET 28 BLK		1		
F69	199439-3	CREVICE NOZZLE 415 SET		1		
F73	199843-6	PIPE 465 COMPLETE SET		1		
F74	199844-4	JOINT PIPE 465 SET		1		
F86-1	198900-7	WIRELESS UNIT SET	<	1	*	
F86-2	198900-7	WIRELESS UNIT SET	O	1	*	
F86-3	198900-7	WIRELESS UNIT SET	<	1		
G09	1912G4-5	TELESCOPIC PIPE COMPLETE SET		1		
G10	1912G5-3	BENT PIPE COMPLETE SET		1		
G11	413R35-4	STOPPER		1		

Prosím uveďte objednáč. číslo dílu v objednávce

Datum tisku 06. 11. 2024