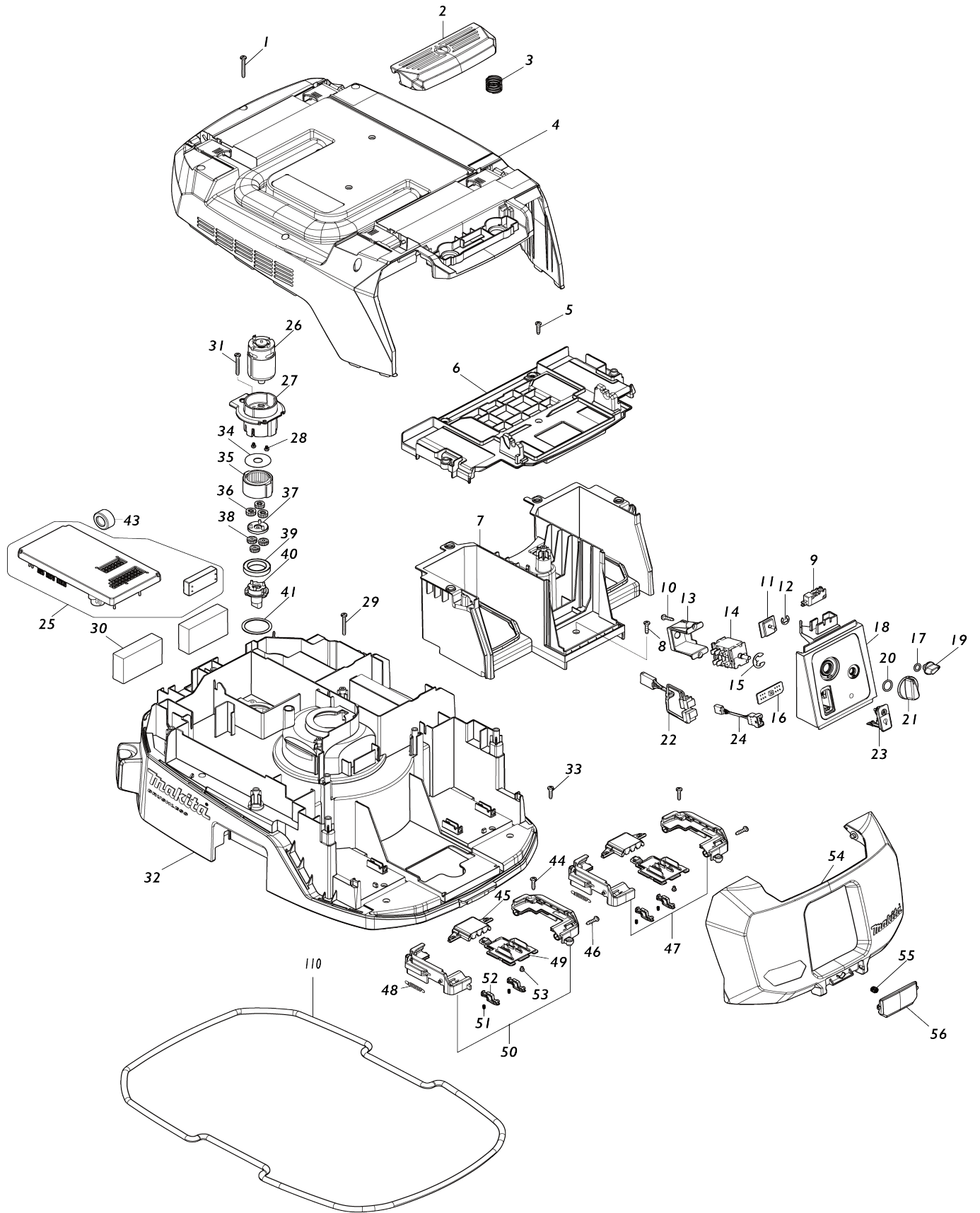
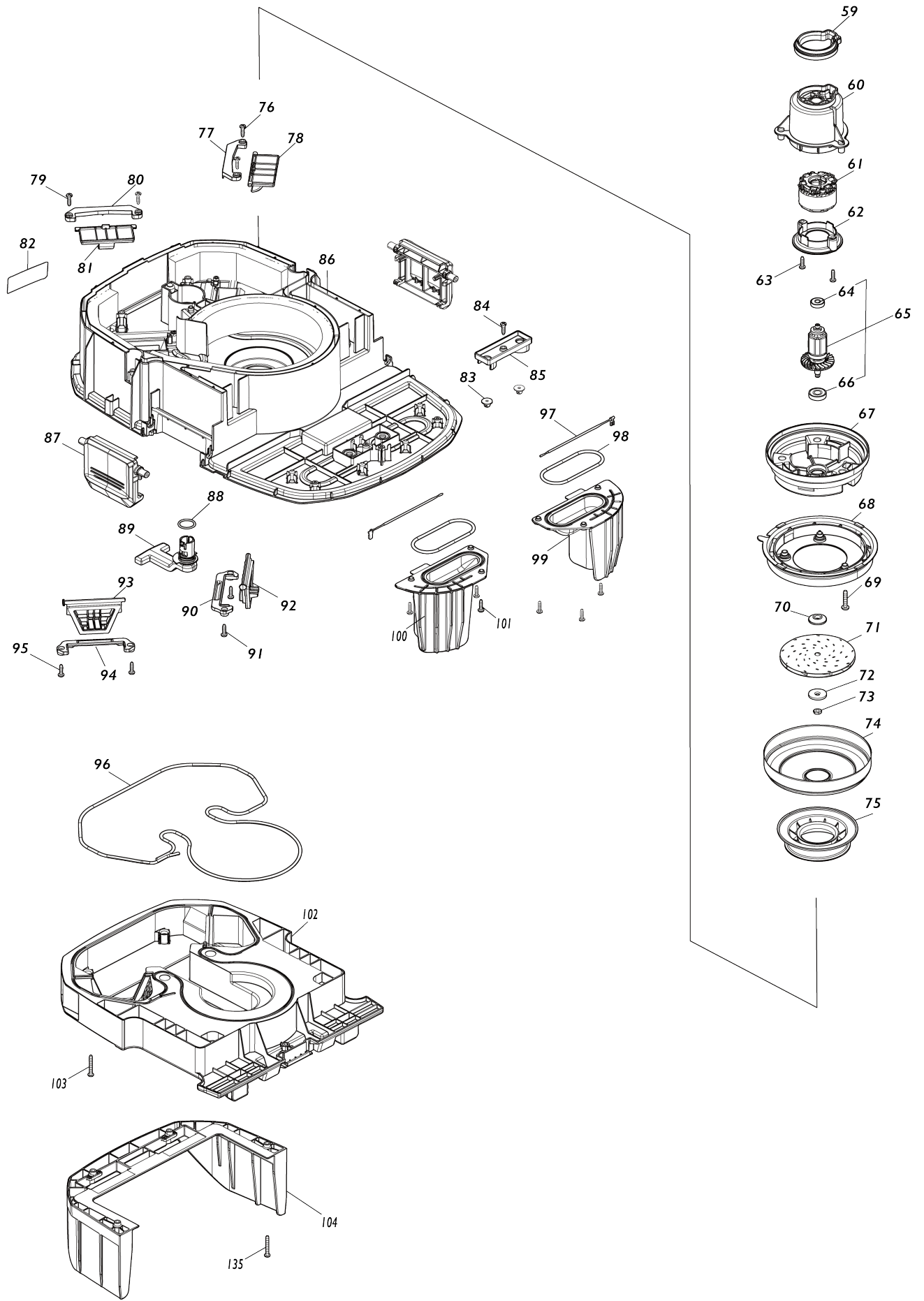


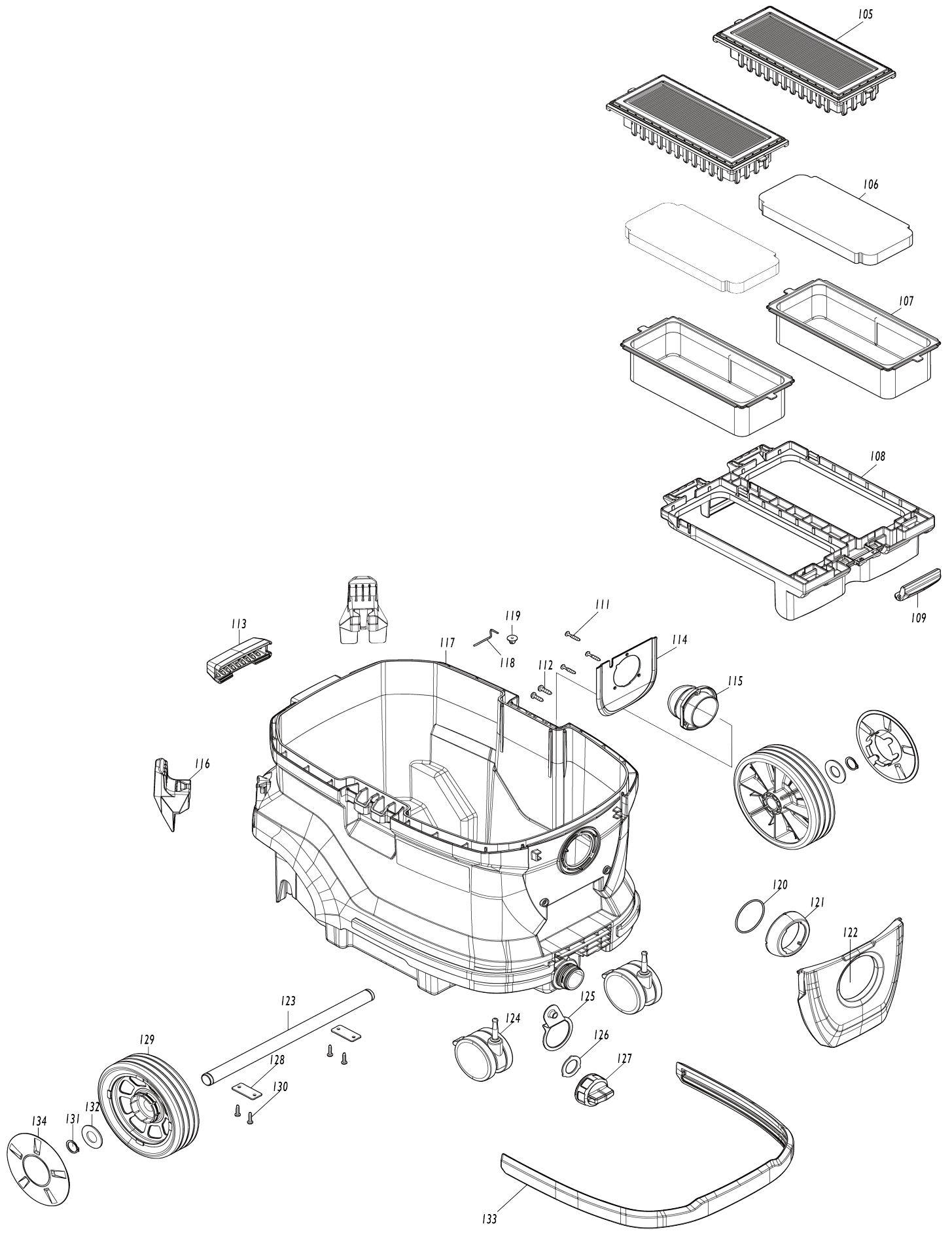
Model No.VC007GL CORDLESS VACUUM CLEANER



Model No.VC007GL CORDLESS VACUUM CLEANER



Model No.VC007GL CORDLESS VACUUM CLEANER



Model No.VC007GL CORDLESS VACUUM CLEANER

Obj. č.	Obj. č.	Popis	Možn ost zá měny	Množ ství	Nový/ Starý	Poznámka 1	Poznámka 2
001	266351-3	šroub 4x35=old266053-1		9			
002	413B26-9	SWITCH BUTTON		1			
003	234273-5	COMPRESSION SPRING 20		2		pru	
004	141L64-8	COWLING COMPLETE		1		kryt	
C10	8059E1-0	CAUTION LABEL		1			
C20	413K73-4	GRIP		1			
C30	413K74-2	LATCH		4			
005	266326-2	šroub 4x18=new265995-6		1			
006	413K69-5	UPPER HOUSING		1		horn	
007	413K68-7	LOWER HOUSING		1		spodn	
008	266326-2	šroub 4x18=new265995-6		1			
009	651910-0	SWITCH D2VW-01-3HS		1		vyp	
010	266326-2	šroub 4x18=new265995-6		2			
011	620D39-7	SUB CONTROLLER		1		ovl	
012	961013-5	zajišťovací kroužek		1		zaji	
013	451343-7	SWITCH HOLDER		1		dr	
014	650014-5	SWITCH 1703.4803		1		vyp	
015	961062-2	STOP RING E-12		1		pru	
016	620F40-4	INDICATION CIRCUIT		1		elektronika VC001-00 5G	
017	213054-0	o-kroužek 9		1		o-krou	
018	141L61-4	SWITCH BASE B COMPLETE		1		z	
C10	8056M3-4	INDICATION LABEL		1			
019	451344-5	SWITCH DIAL		1			
020	213176-6	o kroužek		1		o krou	
021	451342-9	SWITCH LEVER		1			
022	638A19-1	LEAD UNIT		1		elektronika VC002/00 4G	
023	141L63-0	CAP COMPLETE		1		v	
024	632L47-4	CONNECTOR UNIT		1		konektor	
025	620G98-9	CONTROLLER		1		ovlada	
026	629B77-4	DC MOTOR		1		dc motor	
027	454207-4	GEAR CASE		1			
028	911003-8	šroub M3x6		2			
029	266351-3	šroub 4x35=old266053-1		6			
030	422929-4	REAR BLOCK FILTER		2		zadn	
031	266351-3	šroub 4x35=old266053-1		2			
032	141L58-3	SEPARATOR COMPLETE		1		separator komplet	
033	266326-2	šroub 4x18=new265995-6		2			
034	267067-3	podložka 12		1		podlo	
035	226285-2	objímka planetové převodovky 4 2 6222		1		obj	
036	226283-6	ozubené kolo		3		ozuben	
037	153228-0	unašeč		1		una	
038	226284-4	ozubené kolo		3		ozuben	
039	211375-4	Kugellager		1		Kugellager	
040	135554-9	SPINDLE ASSEMBLY		1			
041	267464-3	FLAT WASHER 34		1			
043	688131-1	filtr MT240/HM1801/1810/HR24=		1	*	filtr	

		old688106-0				
043-1	688131-1	filtr MT240/HM1801/1810/HR24= old688106-0	O	1		filtr
044	266326-2	šroub 4x18=new265995-6		4		
045	413B40-5	TERMINAL COVER		2		kryt kontaktu VC001 G
046	266326-2	šroub 4x18=new265995-6		4		
047	183U06-0	TERMINAL CASE SET		1		dr
048	232722-6	TENSION SPRING 4		4		pru
049	632T08-2	TERMINAL UNIT		2		patice VC001-005G
050	183W98-1	TERMINAL CASE SET		1		koncovky
051	232472-3	COMPRESSION SPRING 2		4		pru
052	413B41-3	LOCK LEVER		4		
053	652031-1	PAN HEAD SCREW M3X6		4		
054	183X55-5	BATTERY COVER SET		1		kryt baterie
C10	8059D9-7	XGT LOGO LABEL		1		
055	231456-8	COMPRESSION SPRING 7		1		
056	413K71-8	BATTERY COVER HOOK		1		h
059	422926-0	RUBBER RING		1		pry
060	413K59-8	MOTOR HOUSING		1		sk
061	629B75-8	STATOR		1		stator
062	413K60-3	BAFFLE PLATE		1		p
063	266326-2	šroub 4x18=new265995-6		2		
064	210022-4	kuličkové ložisko 626 DDW		1		
065	519777-1	ROTOR ASS'Y		1	*	rotor
065		INC. 64,66			*	
065-1	519777-1	ROTOR ASS'Y	O	1		rotor
065-1		INC. 64,66				
066	211491-2	BALL BEARING 609DDW		1		
067	413K61-1	BASE		1		z
068	413K62-9	FAN BASE		1		v
069	266173-1	šroub 5x30 = old 933530		3		
070	313062-2	FLANGE		1		p
071	240178-9	FAN 104		1		ventil
072	253752-4	042086		1		042086
073	252268-6	HEX. NUT M6		1		
074	347A40-6	FAN COVER		1		kryt ventil
075	422793-3	SUPPORT RING		1		
076	266326-2	šroub 4x18=new265995-6		2		
077	413K91-2	OUTER VALVE HOLDER		1		dr
078	141L70-3	OUTER VALVE COMPLETE		1		vn
079	266326-2	šroub 4x18=new265995-6		2		
080	413K91-2	OUTER VALVE HOLDER		1		dr
081	141L70-3	OUTER VALVE COMPLETE		1		vn
082	8581H9-6	VC007GL NAME PLATE		1		
083	421468-1	CORD SEAL		2		
084	266326-2	šroub 4x18=new265995-6		1		
085	413K94-6	SEAL STOPPER		1		t
086	141L69-8	TANK COVER COMPLETE		1		kryt n
087	413K83-1	HOOK		2		h
088	213304-3	o-kroužek 20		1		o-krou
089	413K93-8	CAM		1		va

090	413K92-0	INNER VALVE HOLDER		1	vnit	
091	266326-2	šroub 4x18=new265995-6		2		
092	141L71-1	INNER VALVE COMPLETE		1	vnit	
093	141L71-1	INNER VALVE COMPLETE		1	vnit	
094	413K92-0	INNER VALVE HOLDER		1	vnit	
095	266326-2	šroub 4x18=new265995-6		2		
096	422944-8	SEAL RING A		1	t	
097	638A41-8	LEAD UNIT		2	ovl	
098	422932-5	SEAL RING B		2	t	
099	413K75-0	FRONT STAND L		1	p	
100	413K76-8	FRONT STAND R		1	p	
101	266326-2	šroub 4x18=new265995-6		6		
102	413K84-9	INNER COVER		1	vnit	
103	266351-3	šroub 4x35=old266053-1		4		
104	413K85-7	REAR STAND		1	zadn	
105	1911B7-8	POWDER FILTER H SET		2		
106	1911B4-4	DAMPER SET		2		
107	1911B5-2	PRE FILTER SET		2		
108	413K86-5	TOP PLATE		1	horn	
109	127480-6	LATCH ASSEMBLY		1	spona	
110	422943-0	SEAL RING C		1	t	
111	266374-1	šroub 4x25		3		
112	266420-0	TAPPING SCREW 5X20		2		
113	422934-1	BUMPER B		1	n	
114	457853-2	HOLDER PLATE		1		
115	457852-4	HOLDER		1		
116	413K78-4	HOSE HOOK		2	h	
117	141M90-3	TANK COMPLETE		1	n	
C10	891978-6	CAUTION LABEL		1		
118	649150-2	EARTH LINE 120		1		
119	421468-1	CORD SEAL		1		
120	213655-4	o-kroužek 56		1	o-krou	
121	457851-6	INLET		1		
122	413K82-3	INLET COVER		1	kryt p	
123	327A50-9	JOINT PIPE 20-343		1	spojovac	
124	168547-1	CASTER 75		2	kole	
125	457862-1	DRAIN BELT		1	p	
126	422179-1	SEAL		1	t	
127	457861-3	DRAIN CAP		1	v	
128	347A42-2	PLATE		2	tal	
129	413K79-2	CASTER 170		2	kole	
130	266326-2	šroub 4x18=new265995-6		4		
131	961060-6	segrovka vnější S-20		2	segrovka vn	
132	267299-2	podložka		2	podlo	
133	422933-3	BUMPER A		1	n	
134	413K80-7	WHEEL CAP		2	kryt kola	
135	266351-3	šroub 4x35=old266053-1		4		
A01	199455-5	NOZZLE ASSEMBLY SET		1		
A02	195433-3	hadice 28-3.5 Set VC3210L		1		
C10	417191-4	CUFF LOCK		1		
C20	417586-1	STOPPER		1		
C30	417662-1	SLEEVE		1		

C40	417766-9	FRONT CUFF 38		1		
C50	417765-1	adaptér 22 VC3210L =new 1955 47-8		1		
C60	424379-9	adaptér 24 VC3210L =new19554 6-0		1		
A03	195434-1	hadice 38/3500mm VC3210L		1		
C10	417191-4	CUFF LOCK		1		
C20	417306-3	SLEEVE		2		
C30	417307-1	FRONT CUFF		1		
C40	417586-1	STOPPER		2		
A04	1910R3-2	POLY BAG SET		1		
A05	192563-1	rovná trubka VC3210L		1		
A06	192562-3	zahnutá trubka VC3210L		1		
A07	410306-2	štěřbinová hubice VC3210L		1		
A08	195547-8	adaptér=old417765-1		1		
A09	195546-0	FRONT CUFF 24 SET		1		
A11	451350-0	uzávěr VC3210L		1		
A12	911138-5	P.H.SCREW M4X20 WITH WR		1		
A13	198900-7	WIRELESS UNIT SET		1	*	
A13-1	198900-7	WIRELESS UNIT SET	O	1	*	
A13-2	198900-7	WIRELESS UNIT SET	<	1		
F08	1910N0-0	FILTER FOR WATER SET		1		
F96	422A02-6	CAP		1		v
G09	1912G4-5	TELESCOPIC PIPE COMPLETE SET		1		
G10	1912G5-3	BENT PIPE COMPLETE SET		1		
G11	413R35-4	STOPPER		1		

Prosím uveďte objednáč. číslo dílu v objednávce

Datum tisku 06. 11. 2024