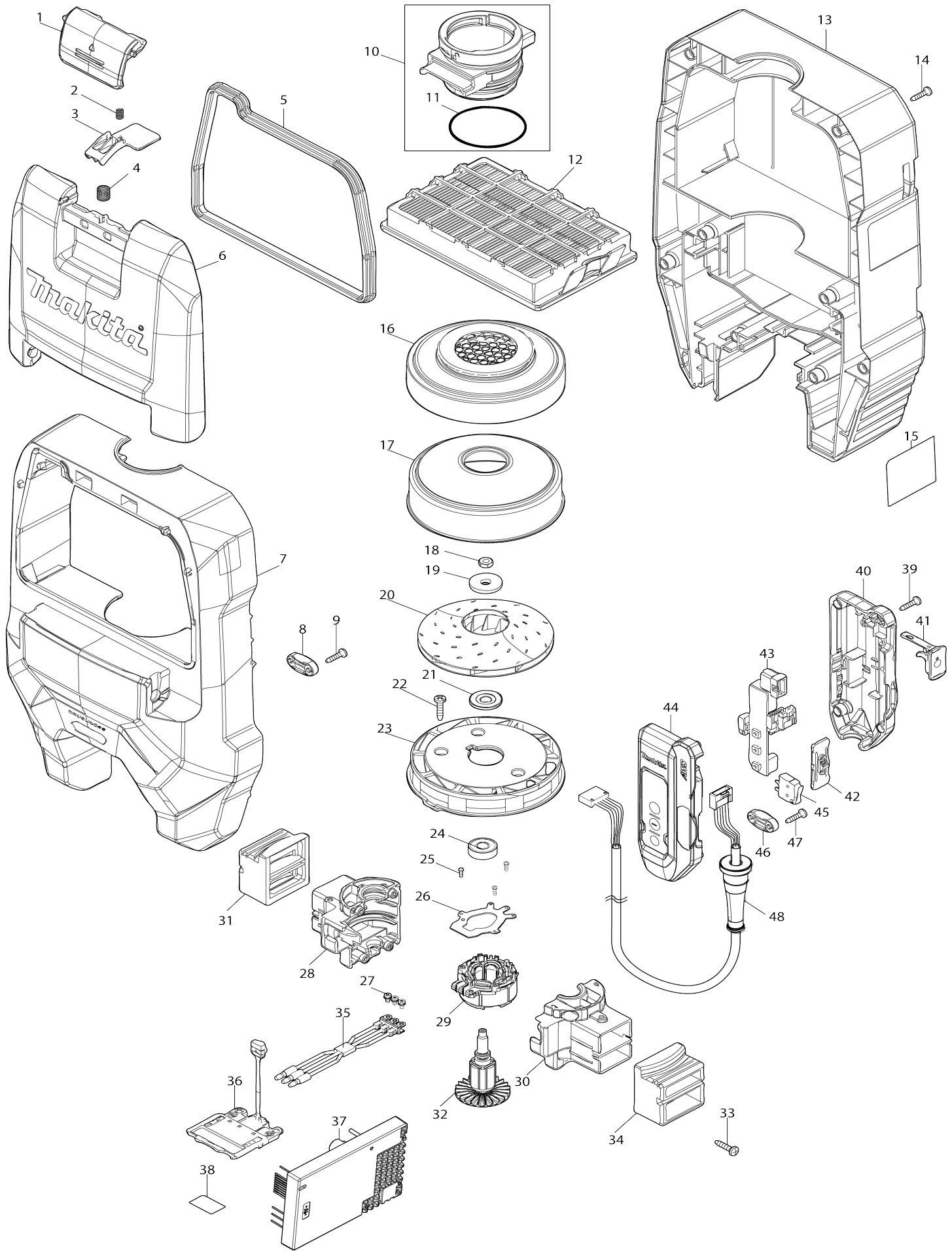
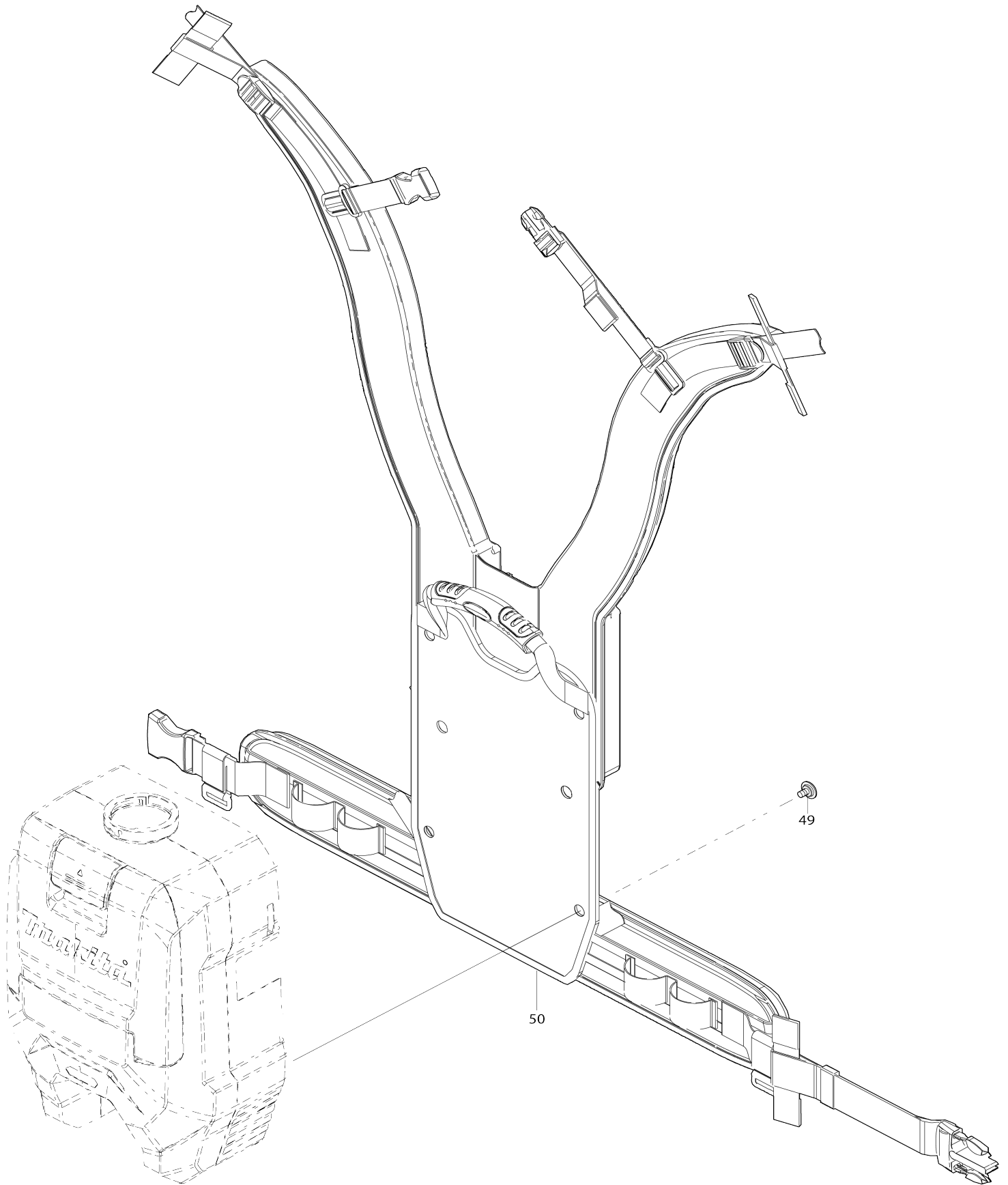


Model No.VC009G DC BACKPACK VACUUM CLEANER



Model No.VC009G DC BACKPACK VACUUM CLEANER



Model No.VC009G DC BACKPACK VACUUM CLEANER

Obj. č.	Obj. č.	Popis	Možn ost zá měny	Množ ství	Nový/ Starý	Poznámka 1	Poznámka 2
001	413E53-4	HOOK		1		h	
002	232389-0	COMPRESSION SPRING 5		1			
003	412268-0	STOPPER PLATE		1		deska	
004	234391-9	COMPRESSION SPRING 8		1		pru	
005	422850-7	SEAL		1		t	
006	413E54-2	DUST BOX COVER		1		kryt boxu na prach	
007	136648-3	UPPER HOUSING ASSY		1		horn	
C10	263005-3	vymezovací čep 6		2			
C20	8025F3-0	XGT LOGO LABEL		1			
008	687124-5	držák kabelu		1		dr	
009	266326-2	šroub 4x18=new265995-6		2			
010	135771-1	INLET ASS'Y		1			
010		INC. 11					
011	213655-4	o-kroužek 56		1		o-krou	
012	191Y27-2	MAIN FILTER H SET		1		hlavn	
013	141H48-2	LOWER HOUSING COMPLETE		1		spodn	
C10	422854-9	REAR BLOCK FILTER A		2			
C20	422855-7	REAR BLOCK FILTER B		1			
014	266326-2	šroub 4x18=new265995-6		8			
015	8116L0-3	VC009G NAME PLATE		1			
016	422851-5	SUPPORT RING		1		podp	
017	347965-8	FAN COVER		1		kryt ventil	
018	252268-6	HEX. NUT M6		1			
019	253752-4	042086		1		042086	
020	240178-9	FAN 104		1		ventil	
021	313062-2	FLANGE		1		p	
022	266326-2	šroub 4x18=new265995-6		3			
023	413E42-9	FAN BASE		1		z	
024	210005-4	kulič. ložisko 608DDW = old 2110 31-6		1		kuli	
025	266490-9	TAPPING SCREW PT 2X6		3			
026	620H32-5	CONTROLLER B		1		ovlada	
027	652069-6	FLAT HEAD SCREW M3X6		3			
028	183V01-6	MOTOR HOUSING SET		1		obal motoru	
028		INC. 30					
029	629B16-4	STATOR		1		stator	
030	183V01-6	MOTOR HOUSING SET		1		obal motoru	
030		INC. 28					
031	422856-5	SUPPORT A		1		podpora A	
032	619746-3	ROTOR		1		rotor	
033	266326-2	šroub 4x18=new265995-6		4			
034	422856-5	SUPPORT A		1		podpora A	
035	638A29-8	LEAD UNIT		1		ovl	
036	632P49-4	TERMINAL UNIT		1		termin	
037	620H31-7	CONTROLLER		1		ovlada	
038	8116L8-7	VC009G SERIAL NO. LABEL		1			
039	266130-9	šroub PT 3X		4			
040	183V69-2	SWITCH CASE SET		1		vyp	

C10	8045G2-5	SWITCH LABEL		1		
C20	818F56-3	SWITCH LABELB		1		
040		INC. 44				
041	140G18-2	CAP COMPLETE		1	v	
C10	213A05-9	O-RING16		1	o krou	
042	458714-9	SWITCH LEVER		1	p	
043	620H34-1	SWITCH CIRCUIT		1	sp	
044	183V69-2	SWITCH CASE SET		1	vyp	
C10	8045G2-5	SWITCH LABEL		1		
C20	818F56-3	SWITCH LABELB		1		
044		INC. 40				
045	632E26-0	SWITCH UNIT		1	vyp	
046	687124-5	držák kabelu		1	dr	
047	266326-2	šroub 4x18=new265995-6		2		
048	699194-2	POWER SUPPLY CORD UNIT		1	kabel	
049	265008-3	šroub M5 šestihran LS1013		4		
050	162B37-8	HARNESS		1	postroj	
A01	A-34235	HOSE COMP 28-1.5		1		
C10	417766-9	FRONT CUFF 38		1		
C20	417191-4	CUFF LOCK		1		
C30	417586-1	STOPPER		1		
C40	417662-1	SLEEVE		1		
A02	166116-2	HOSE BAND		1		
A03	197903-8	FILTER BAG SET 2L(10PCS)EU		1		
A04	417765-1	adaptér 22 VC3210L =new 1955 47-8		1		
A05	424379-9	adaptér 24 VC3210L =new19554 6-0		1		
A06	198900-7	WIRELESS UNIT SET		1	*	
A06-1	198900-7	WIRELESS UNIT SET	O	1	*	
A06-2	198900-7	WIRELESS UNIT SET	<	1		
F12	191B15-1	CLEANING WAND SET		1		
F14	191D71-3	CYCLONE ATTACHMENT SET (LOCK)		1		
F16	191D73-9	CYCLONE ATTACHMENT SET (LOCK)		1		
F18	191D75-5	CYCLONE ATTACHMENT SET		1		
F19	191D76-3	STRAIGHT PIPE SET 340		1		
F20	191D77-1	STRAIGHT PIPE SET 340		1		
F21	191D78-9	STRAIGHT PIPE SET 340		1		
F23	191D80-2	STRAIGHT PIPE SET 320		1		
F25	191E30-3	FLEXIBLE HOSE SET(LOCK)		1		
F27	191G87-6	NOZZLE ASSEMBLY SET		1		
F28	191M30-1	BRUSH NOZZLE SET		1		
F29	191M77-5	JOINT A 32 SET		1		
F30	191M78-3	JOINT B 35 SET		1		
F31	191M79-1	JOINT C 38 SET		1		
F32	191Y14-1	HARNESS COVER SET		1		
F33	191Y27-2	MAIN FILTER H SET		1	hlavn	
F36	192236-6	TAPERED NOZZLE SET		1		
F39	195545-2	adaptér		1		
F40	195546-0	FRONT CUFF 24 SET		1		
F41	195547-8	adaptér=old417765-1		1		

F42	195548-6	JOINT 22-38 SET		1		
F43	195549-4	T-NOZZLE ASSY A SET(DRY)38		1		
F44	195551-7	zemní hubice VC3210L		1		
F53	198184-7	F/C SWITCHING T-NOZZLE 38		1		
F57	198533-8	F/C SWITCHING T-NOZZLE 38 EU		1		
F58	198537-0	SHELF BRUSH SET28 IVO EU		1		
F59	191496-7	hadice		1		hadice 430mm na ak u vysdava
F60	198552-4	ROUND BRUSH SET 28 IVO		1		
F62	198560-5	TELESCOPIC PIPE SET 28 EU		1		
F65	198868-7	FLEXIBLE HOSE SET28(WHI)		1		
F66	198873-4	SHELF BRUSH SET28 WHI		1		
F67	198878-4	ROUND BRUSH SET 28 WHI		1		
F68	198919-6	LONG SASH NOZZLE SET 28 WHI		1		
F69	198990-0	LONG SASH NOZZLE SET 28 BLU		1		
F70	198992-6	LONG SASH NOZZLE SET 28 BLK		1		
F71	199038-1	SEAT NOZZLE SET 28 WHI		1		
F72	199039-9	SEAT NOZZLE SET 28 BLK		1		
F73	199041-2	SEAT NOZZLE SET 28 BLU		1		
F74	199439-3	CREVICE NOZZLE 415 SET		1		
F76	199491-1	CYCLONE ATTACHMENT SET		1		
F78	199843-6	PIPE 465 COMPLETE SET		1		
F79	199844-4	JOINT PIPE 465 SET		1		
F86	1911W4-1	PROTECTION COVER SET		1		
F96	422A02-6	CAP		1		v
G09	1912G4-5	TELESCOPIC PIPE COMPLETE SET		1		
G10	1912G5-3	BENT PIPE COMPLETE SET		1		

Prosím uveďte objednáč. číslo dílu v objednávce

Datum tisku 06. 11. 2024