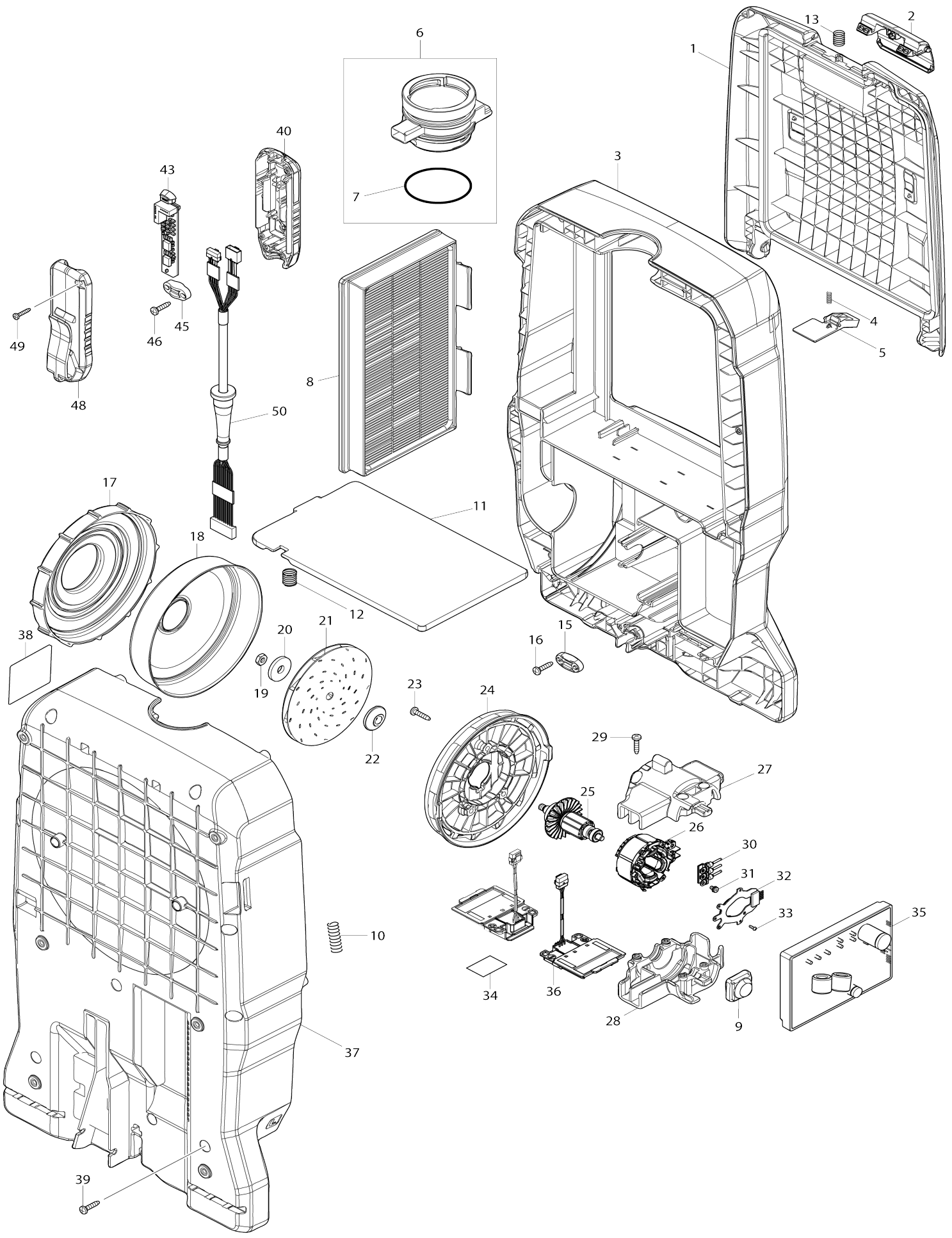
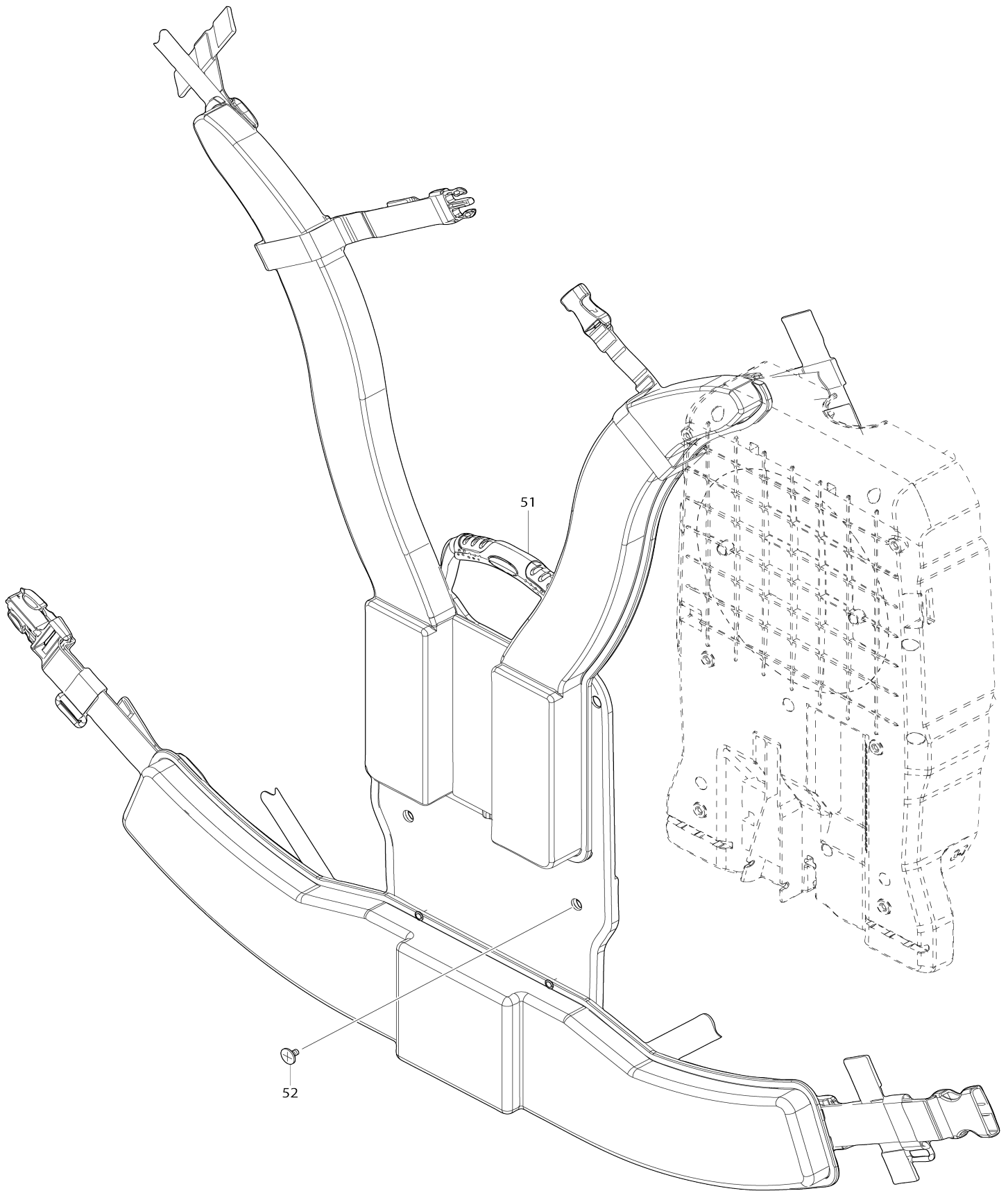


Model No.VC011G DC BACKPACK VACUUM CLEANER



Model No.VC011G DC BACKPACK VACUUM CLEANER



Model No.VC011G DC BACKPACK VACUUM CLEANER

Obj. č.	Obj. č.	Popis	Možn ost zá měny	Množ ství	Nový/ Starý	Poznámka 1	Poznámka 2
001	141S81-0	DUST BOX COVER COMPLETE		1		kryt kompletn	
C10	422A82-2	SEAL A		1			
002	413E52-6	HOOK		1		h	
003	137050-3	UPPER HOUSING ASSEMBLY		1		horn	
C10	263005-3	vymezovací čep 6		2			
C20	422A76-7	REAR BLOCK FILTER		1			
004	232389-0	COMPRESSION SPRING 5		1			
005	459912-8	STOPPER PLATE		1		deska	
006	135771-1	INLET ASS'Y		1			
006		INC. 7					
007	213655-4	o-kroužek 56		1		o-krou	
008	191D12-9	MAIN FILTER H SET		1		filtr sada	
009	422A84-8	SUPPORT A		1		vzp	
010	231297-2	vinutá pružina 9		1		vinut	
011	459913-6	PLATE		1		deska	
012	234141-2	COMPRESSION SPRING 12		2			
013	234391-9	COMPRESSION SPRING 8		1		pru	
015	687124-5	držák kabelu		1		dr	
016	266326-2	šroub 4x18=new265995-6		2			
017	422A83-0	SUPPORT RING		1		krou	
018	347B87-6	FAN COVER		1		kryt ventil	
019	252268-6	HEX. NUT M6		1			
020	253752-4	042086		1		042086	
021	240178-9	FAN 104		1		ventil	
022	313062-2	FLANGE		1		p	
023	266326-2	šroub 4x18=new265995-6		3			
024	413U78-4	FAN BASE		1		z	
025	619835-4	ROTOR		1		rotor	
026	629C56-8	STATOR		1		stator	
027	1830C1-5	MOTOR HOUSING SET		1		obal motoru	
027		INC. 28					
028	1830C1-5	MOTOR HOUSING SET		1		obal motoru	
028		INC. 27					
029	266326-2	šroub 4x18=new265995-6		4			
030	638A29-8	LEAD UNIT		1		ovl	
031	652069-6	FLAT HEAD SCREW M3X6		3			
032	620F39-9	CONTROLLER B		1		elektronika VC001-00 5G	
033	266490-9	TAPPING SCREW PT 2X6		3			
034	8142Y9-1	VC011G SERIAL NO. LABEL		1			
035	620M51-1	CONTROLLER		1		elektronika	
036	632P49-4	TERMINAL UNIT		2		termin	
037	137051-1	LOWER HOUSING ASSEMBLY		1		spodn	
C10	263005-3	vymezovací čep 6		2			
C20	422A76-7	REAR BLOCK FILTER		1			
038	8142Y7-5	VC011G NAME PLATE		1			
039	266326-2	šroub 4x18=new265995-6		11			
040	1830D0-4	SWITCH CASE SET		1		kryt vyp	

C10	8071N8-7	SWITCH LABEL		1		
040		INC. 48				
043	620M47-2	SWITCH CIRCUIT		1		elektronika vyp
045	687124-5	držák kabelu		1		dr
046	266326-2	šroub 4x18=new265995-6		2		
048	1830D0-4	SWITCH CASE SET		1		kryt vyp
C10	8071N8-7	SWITCH LABEL		1		
048		INC. 40				
049	266130-9	šroub PT 3X		2		
050	699235-4	POWER SUPPLY CORD UNIT		1		nap
051	162C94-2	HARNESS		1		popruh
052	265008-3	šroub M5 šestihran LS1013		6		
A01	191C30-1	DUST BAG SET		1		
A02	191G86-8	NOZZLE ASSEMBLY SET		1		
A03	199453-9	HOSE COMPLETE 32-1.0 SET		1		
A04	140G19-0	TELESCOPIC PIPE COMPLETE		1		
A05	140G26-3	BENT PIPE COMPLETE		1		
A06	166116-2	HOSE BAND		1		
A07	191C26-2	FILTER BAG SET		1		
A08	198919-6	LONG SASH NOZZLE SET 28 WHI		1		
F20	191D71-3	CYCLONE ATTACHMENT SET (LOCK)		1		
F22	191D73-9	CYCLONE ATTACHMENT SET (LOCK)		1		
F24	191D75-5	CYCLONE ATTACHMENT SET		1		
F25	191D76-3	STRAIGHT PIPE SET 340		1		
F26	191D77-1	STRAIGHT PIPE SET 340		1		
F27	191D78-9	STRAIGHT PIPE SET 340		1		
F29	191D80-2	STRAIGHT PIPE SET 320		1		
F31	191E30-3	FLEXIBLE HOSE SET(LOCK)		1		
F69	198868-7	FLEXIBLE HOSE SET28(WHI)		1		
F70	198873-4	SHELF BRUSH SET28 WHI		1		
F71	198878-4	ROUND BRUSH SET 28 WHI		1		
F75	198919-6	LONG SASH NOZZLE SET 28 WHI		1		
F76	198990-0	LONG SASH NOZZLE SET 28 BLU		1		
F77	198992-6	LONG SASH NOZZLE SET 28 BLK		1		
F78	199038-1	SEAT NOZZLE SET 28 WHI		1		
F79	199039-9	SEAT NOZZLE SET 28 BLK		1		
F80	199041-2	SEAT NOZZLE SET 28 BLU		1		
F82	199439-3	CREVICE NOZZLE 415 SET		1		
F86	199491-1	CYCLONE ATTACHMENT SET		1		
F99	1914A7-9	ANGLE ATTACHMENT SET		1		

Prosím uveďte objednáč. číslo dílu v objednávce

Datum tisku 06. 11. 2024