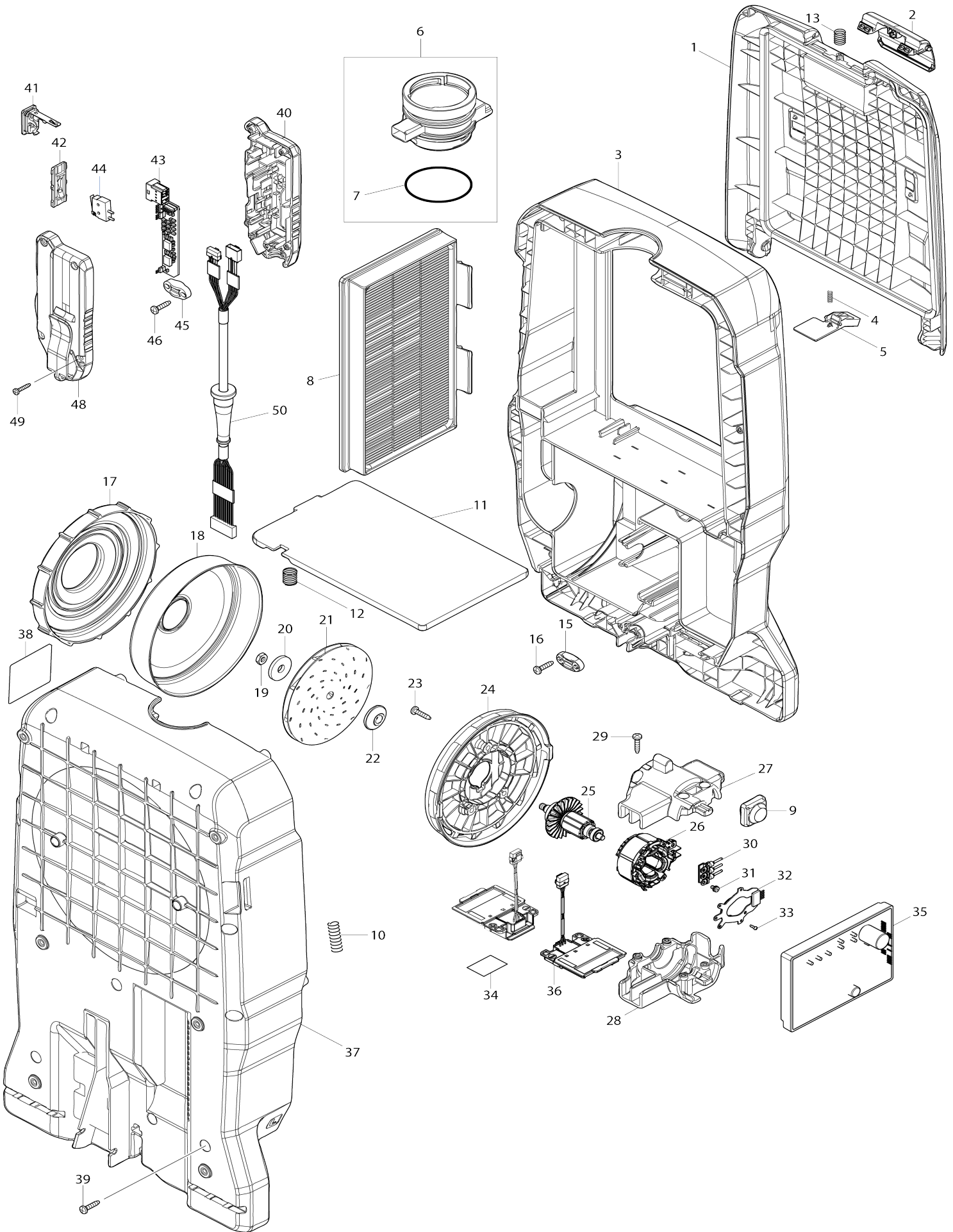
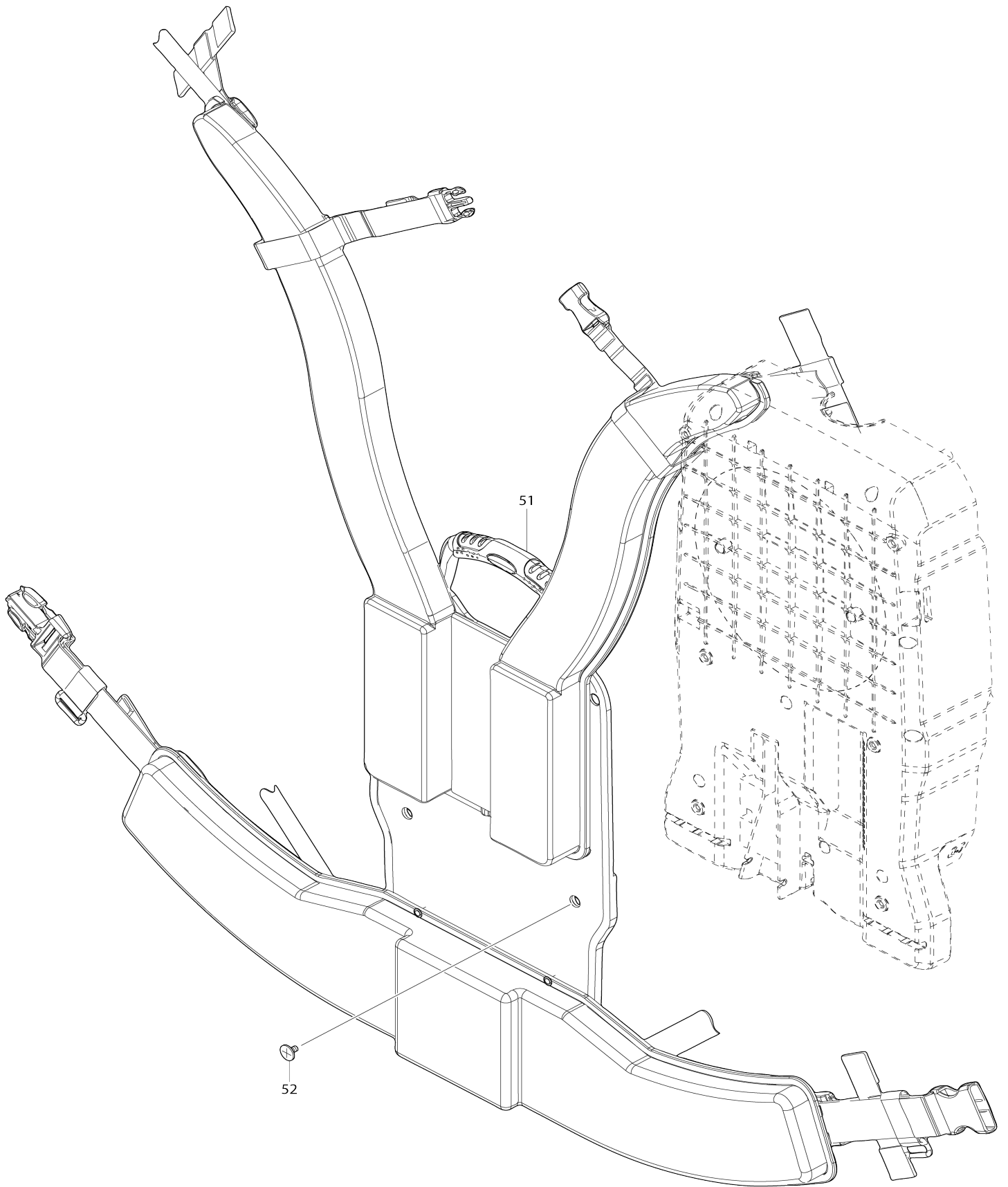


Model No.VC012G DC BACKPACK VACUUM CLEANER



Model No.VC012G DC BACKPACK VACUUM CLEANER



Model No.VC012G DC BACKPACK VACUUM CLEANER

Obj. č.	Obj. č.	Popis	Možn ost zá měny	Množ ství	Nový/ Starý	Poznámka 1	Poznámka 2
001	141S82-8	DUST BOX COVER COMPLETE		1		kryt kompletn	
C10	422A82-2	SEAL A		1			
002	413E53-4	HOOK		1		h	
003	137052-9	UPPER HOUSING ASSEMBLY		1		horn	
C10	263005-3	vymezovací čep 6		2			
C20	422A76-7	REAR BLOCK FILTER		1			
004	232389-0	COMPRESSION SPRING 5		1			
005	412268-0	STOPPER PLATE		1		deska	
006	135771-1	INLET ASS'Y		1			
006		INC. 7					
007	213655-4	o-kroužek 56		1		o-krou	
008	191D12-9	MAIN FILTER H SET		1		filtr sada	
009	422A84-8	SUPPORT A		1		vzp	
010	231297-2	vinutá pružina 9		1		vinut	
011	459913-6	PLATE		1		deska	
012	234141-2	COMPRESSION SPRING 12		2			
013	234391-9	COMPRESSION SPRING 8		1		pru	
015	687124-5	držák kabelu		1		dr	
016	266326-2	šroub 4x18=new265995-6		2			
017	422A83-0	SUPPORT RING		1		krou	
018	347B87-6	FAN COVER		1		kryt ventil	
019	252268-6	HEX. NUT M6		1			
020	253752-4	042086		1		042086	
021	240178-9	FAN 104		1		ventil	
022	313062-2	FLANGE		1		p	
023	266326-2	šroub 4x18=new265995-6		3			
024	413U78-4	FAN BASE		1		z	
025	619835-4	ROTOR		1		rotor	
026	629C56-8	STATOR		1		stator	
027	1830C1-5	MOTOR HOUSING SET		1		obal motoru	
027		INC. 28					
028	1830C1-5	MOTOR HOUSING SET		1		obal motoru	
028		INC. 27					
029	266326-2	šroub 4x18=new265995-6		4			
030	638A29-8	LEAD UNIT		1		ovl	
031	652069-6	FLAT HEAD SCREW M3X6		3			
032	620F39-9	CONTROLLER B		1		elektronika VC001-00 5G	
033	266490-9	TAPPING SCREW PT 2X6		3			
034	8143B4-6	VC012G SERIAL NO. LABEL		1			
035	620M52-9	CONTROLLER		1		ovlada	
036	632P49-4	TERMINAL UNIT		2		termin	
037	137053-7	LOWER HOUSING ASSEMBLY		1		spodn	
C10	263005-3	vymezovací čep 6		2			
C20	422A76-7	REAR BLOCK FILTER		1			
038	8143B3-8	VC012G NAME PLATE		1			
039	266326-2	šroub 4x18=new265995-6		11			
040	1830D1-2	SWITCH CASE SET		1		kryt vyp	

C10	8071N9-5	SWITCH LABELA		1		
C20	818F56-3	SWITCH LABELB		1		
040		INC. 48				
041	140G18-2	CAP COMPLETE		1	v	
C10	213A05-9	O-RING16		1	o krou	
C20	818F57-1	CAP LABEL		1		
042	458714-9	SWITCH LEVER		1	p	
043	620M48-0	SWITCH CIRCUIT		1	elektronika vyp	
044	632E26-0	SWITCH UNIT		1	vyp	
045	687124-5	držák kabelu		1	dr	
046	266326-2	šroub 4x18=new265995-6		2		
048	1830D1-2	SWITCH CASE SET		1	kryt vyp	
C10	8071N9-5	SWITCH LABELA		1		
C20	818F56-3	SWITCH LABELB		1		
048		INC. 40				
049	266130-9	šroub PT 3X		4		
050	699235-4	POWER SUPPLY CORD UNIT		1	nap	
051	162C95-0	HARNESS		1	popruh	
052	265008-3	šroub M5 šestihran LS1013		6		
A01	191Y84-0	DUST BAG SET		1		
A02	152992-0	HOSE COMPLETE 28-1.5		1		
A03	417765-1	adaptér 22 VC3210L =new 1955 47-8		1		
A04	424379-9	adaptér 24 VC3210L =new19554 6-0		1		
A05	198900-7	WIRELESS UNIT SET		1	*	
A05-1	198900-7	WIRELESS UNIT SET	O	1	*	
A05-2	198900-7	WIRELESS UNIT SET	<	1		
A06	166116-2	HOSE BAND		1		
A07	191C26-2	FILTER BAG SET		1		
F20	191D71-3	CYCLONE ATTACHMENT SET (LOCK)		1		
F22	191D73-9	CYCLONE ATTACHMENT SET (LOCK)		1		
F24	191D75-5	CYCLONE ATTACHMENT SET		1		
F25	191D76-3	STRAIGHT PIPE SET 340		1		
F26	191D77-1	STRAIGHT PIPE SET 340		1		
F27	191D78-9	STRAIGHT PIPE SET 340		1		
F29	191D80-2	STRAIGHT PIPE SET 320		1		
F31	191E30-3	FLEXIBLE HOSE SET(LOCK)		1		
F69	198868-7	FLEXIBLE HOSE SET28(WHI)		1		
F70	198873-4	SHELF BRUSH SET28 WHI		1		
F71	198878-4	ROUND BRUSH SET 28 WHI		1		
F75	198919-6	LONG SASH NOZZLE SET 28 WHI		1		
F76	198990-0	LONG SASH NOZZLE SET 28 BLU		1		
F77	198992-6	LONG SASH NOZZLE SET 28 BLK		1		
F78	199038-1	SEAT NOZZLE SET 28 WHI		1		
F79	199039-9	SEAT NOZZLE SET 28 BLK		1		
F80	199041-2	SEAT NOZZLE SET 28 BLU		1		
F82	199439-3	CREVICE NOZZLE 415 SET		1		
F86	199491-1	CYCLONE ATTACHMENT SET		1		

Prosím uveďte objednáčíslo dílu v objednávce

Datum tisku 06. 11. 2024