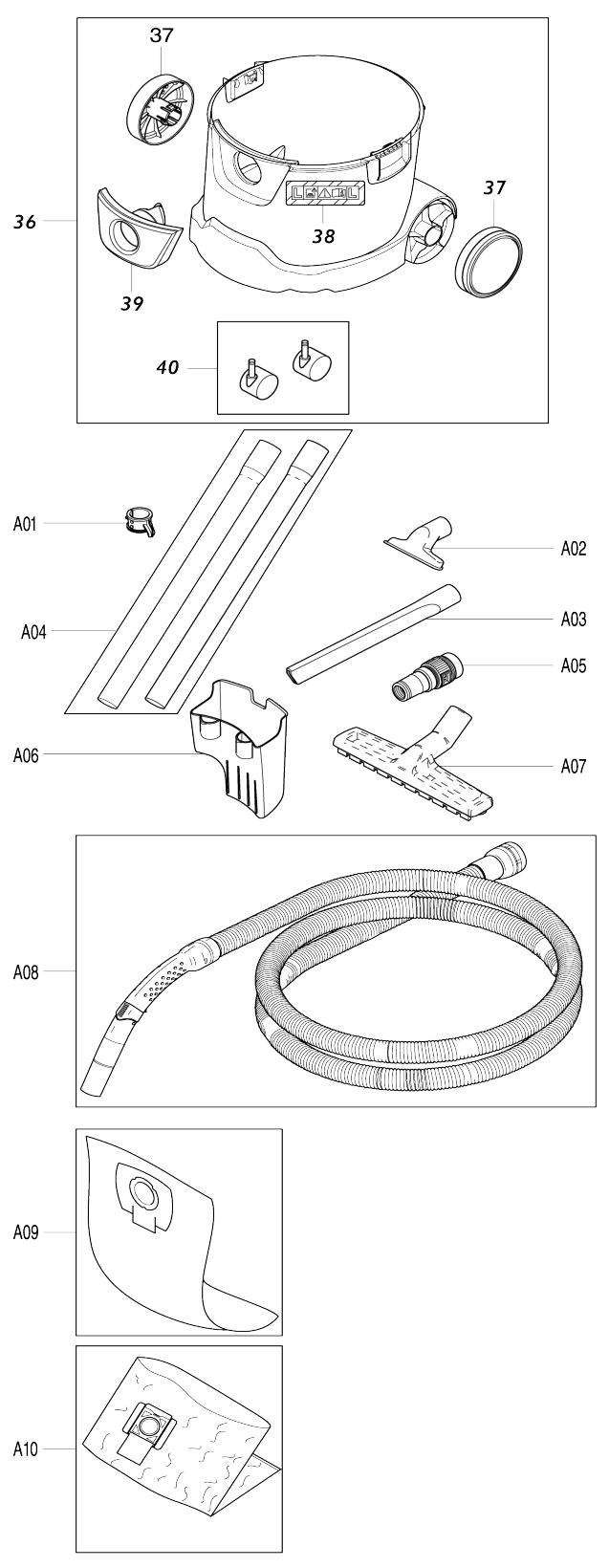
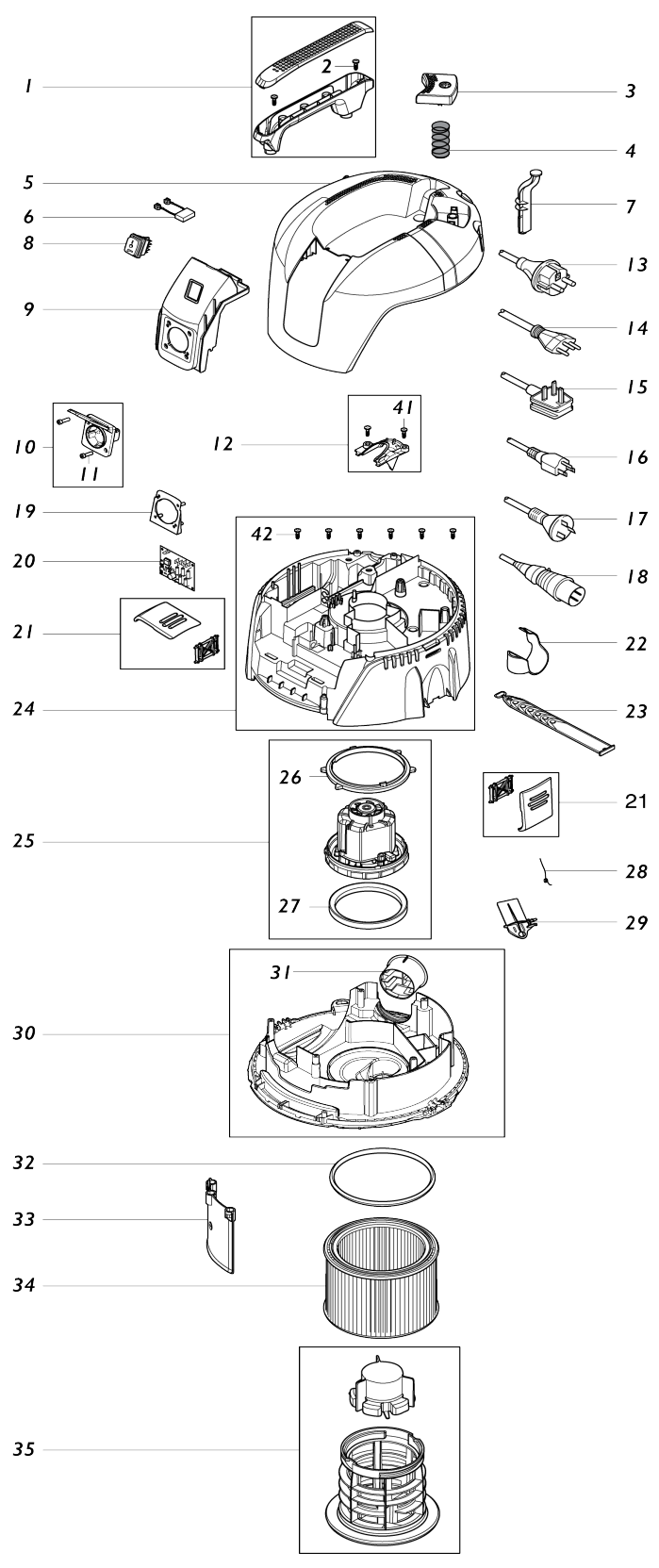


Model No.VC2512L VACUUM CLEANER



Model No.VC2512L VACUUM CLEANER

Obj. č.	Obj. č.	Popis	Možn ost zá měny	Množ ství	Nový/ Starý	Poznámka 1	Poznámka 2
001	W107409137	HANDLE BLACK		1	*		
001		INC. 2			*		
001-1	W107411598	HANDLE BLACK	X	1		dr	
001-1		INC. 2					
002	W302003704	šroub		2	*		
002-1	W302004029	SCREW 5X18 TX20	O	2			
003	W107409153	DEDUSTING KNOB BLACK		1		tla	
004	W107411345	SPRING FOR DEDUSTING KNOB		1			
005	W107411996	COVER >MAKITA<		1		kryt	
006	W107404542	CAPACITOR 0.1 MICRO FARAD		1			
007	W107409141	KIT DEDUSTING ROD		1	*		
007-1	W107411600	KIT DEDUSTING ROD	X	1		p	
008	W107409135	SWITCH I-0-TOOL		1		vyp	
009	W107411997	INTERFACE >MAKITA<		1		ovl	
010	W302004034	SOCKET *EU* - CEE7/4		1		hrdlo VC2012 VC2512 VC3011 VC3012 VC4 210 =oldW302000151	
010		INC. 11					
011	W302004032	SCREW 3,5X18 TX10		2			
012	W107409125	CABLE OUTLET		1			
012		INC. 41					
013	W107402641	POWER CORD *EU* - CEE7/7		1		kabel VC2012L VC251 2L VC3011L	
019	W302002052	PLUG SOCKET FIXING PLATE		1			
020	W107409188	ELEKTRONIC 220-240V		1		elektronika VC2512L	
021	W107409130	KIT LOCKING CLAMP		2		spona VC23012L VC2 512L VC3011L	
022	W107402799	HOSE CLAMP		1			
023	W107409131	RUBBER STRAP		1		guma VC2012L VC25 12L VC3011L	
024	W107409132	CLAMPING PLATE		1			
024		INC. 42					
025	W107409160	MOTOR 220-240V 1000 W		1		motor	
025		INC. 26,27					
026	W107409163	UPPER MOTOR SEALING		1			
027	W107409164	LOWER MOTOR SEALING		1			
028	W909100083	pružina		1		pru	
029	W107409129	DEDUSTING FLAP		1		klapka	
030	W107409166	BASE PLATE WITH AIR OUTLET		1		deska VC2012L VC25 12L VC3011L	
030		INC. 31					
031	W107409167	AIR OUTLET		1		v	
032	W107409165	SEALING FILTER		1		krou	
033	W107409159	DEFLECTOR SHIELD		1			
034	P-70219	filtrační patrona VC2010LVC2511 /446L=old W302000490		1			
035	W302002042	disk		1	*	disk mo	
035-1	W107402646	KIT FILTER SUPPORT CAGE +FLO AT	X	1		plov	
036	W107412001	CONTAINER 25L >MAKITA VC251 2L<		1		n	

036		INC. 37-40					
037	W107409170	WHEEL D130		2			
038	W302004200	LABEL >DUST CLASS L<		1			
039	W107409169	INLET FITTING >VC2512L<		1		vstup VC2512L	
040	W140642250	KIT CASTOR WHEELS 50MM		1			
041	W302003704	šroub		2	*		
041-1	W302004029	SCREW 5X18 TX20	O	2			
042	W302003704	šroub		6	*		
042-1	W302004029	SCREW 5X18 TX20	O	6			
A01	W107409979	TUBE HOLDER KIT		1			
A02	W142950000	NOZZLE UNIVERSAL		1			
A03	W295410000	CREVICE NOZZLE		1			
A04	P-72942	sací trubice		1			
A05	W107409977	TOOL ADAPTER WITH REGULATI ON		1	*		
A05-1	P-81745	TOOL ADAPTER WITH REGULATI ON	<	1			
A06	W107409980	TOOLBOX		1			
A07	W107402706	FLOOR NOZZLE 36X260MM		1			
A08	W107406115	SUCTION HOSE 32X3500MM		1	*		
A08-1	P-81739	SUCTION HOSE D32X3500 W/TU BE	X	1			
C10	W107413340	HAND TUBE WITH REGULATION		1			
A09	P-72899	5ks filtr. vak pro VC2010L VC251 1		1			
A10	P-70297	bag VC2010L/446L=oldW302001 310		1			
A11	W107418661	TOOL ADAPTOR 22 QUICK SET		1			
A12	W107418680	TOOL ADAPTOR 38 VC2012-3011 L		1			

Prosím uveďte objednáč. číslo dílu v objednávce

Datum tisku 06. 11. 2024