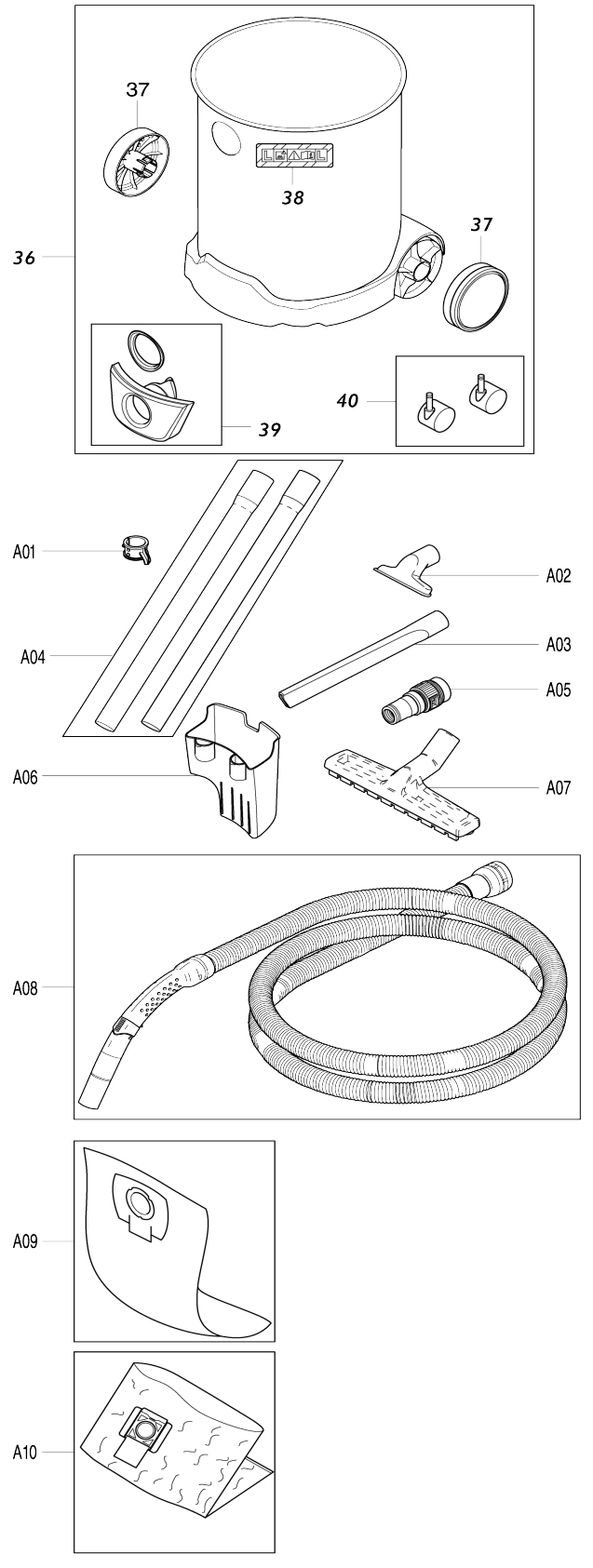
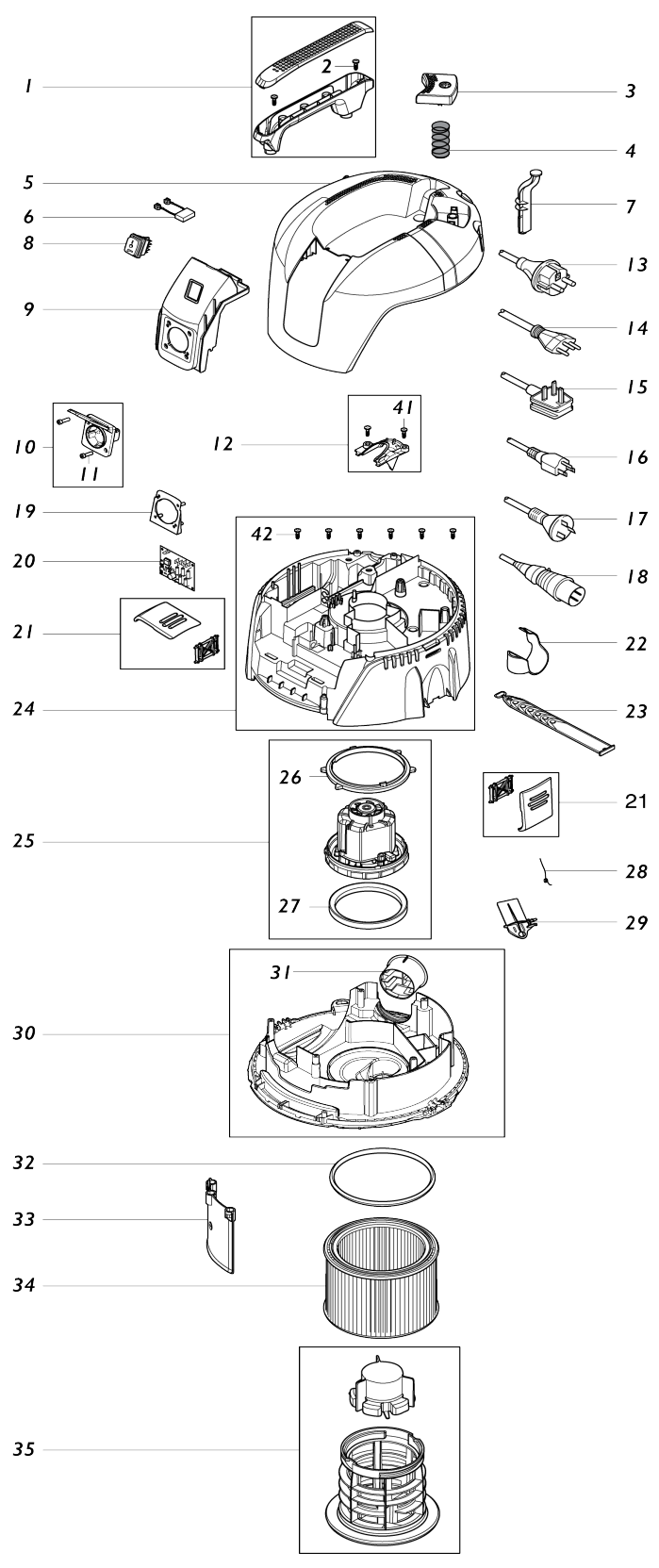


# Model No.VC3011L VACUUM CLEANER





036		INC. 37-40				
037	W107409170	WHEEL D130		2		
038	W302004200	LABEL >DUST CLASS L<		1		
039	W107410817	INLET FITTING KIT		1	p	
040	W140642250	KIT CASTOR WHEELS 50MM		1		
041	W302003704	šroub		2	*	
041-1	W302004029	SCREW 5X18 TX20	O	2		
042	W302003704	šroub		6	*	
042-1	W302004029	SCREW 5X18 TX20	O	6		
A01	W107409979	TUBE HOLDER KIT		1		
A02	W142950000	NOZZLE UNIVERSAL		1		
A03	W295410000	CREVICE NOZZLE		1		
A04	P-72942	sací trubice		1		
A05	W107409977	TOOL ADAPTER WITH REGULATI ON		1	*	
A05-1	P-81745	TOOL ADAPTER WITH REGULATI ON	<	1		
A06	W107409980	TOOLBOX		1		
A07	W107402706	FLOOR NOZZLE 36X260MM		1		
A08	W107406115	SUCTION HOSE 32X3500MM		1	*	
A08-1	P-81739	SUCTION HOSE D32X3500 W/TU BE	X	1		
C10	W107413340	HAND TUBE WITH REGULATION		1		
A09	P-72899	5ks filtr. vak pro VC2010L VC251 1		1		
A10	P-70297	bag VC2010L/446L=oldW302001 310		1		
A11	W107418661	TOOL ADAPTOR 22 QUICK SET		1		
A12	W107418680	TOOL ADAPTOR 38 VC2012-3011 L		1		

Prosím uveďte objednáč í číslo dílu v objednávce

Datum tisku 06. 11. 2024