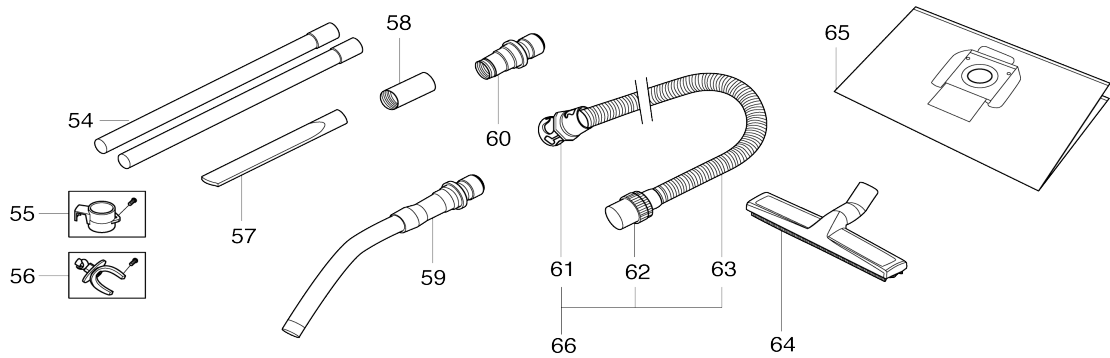
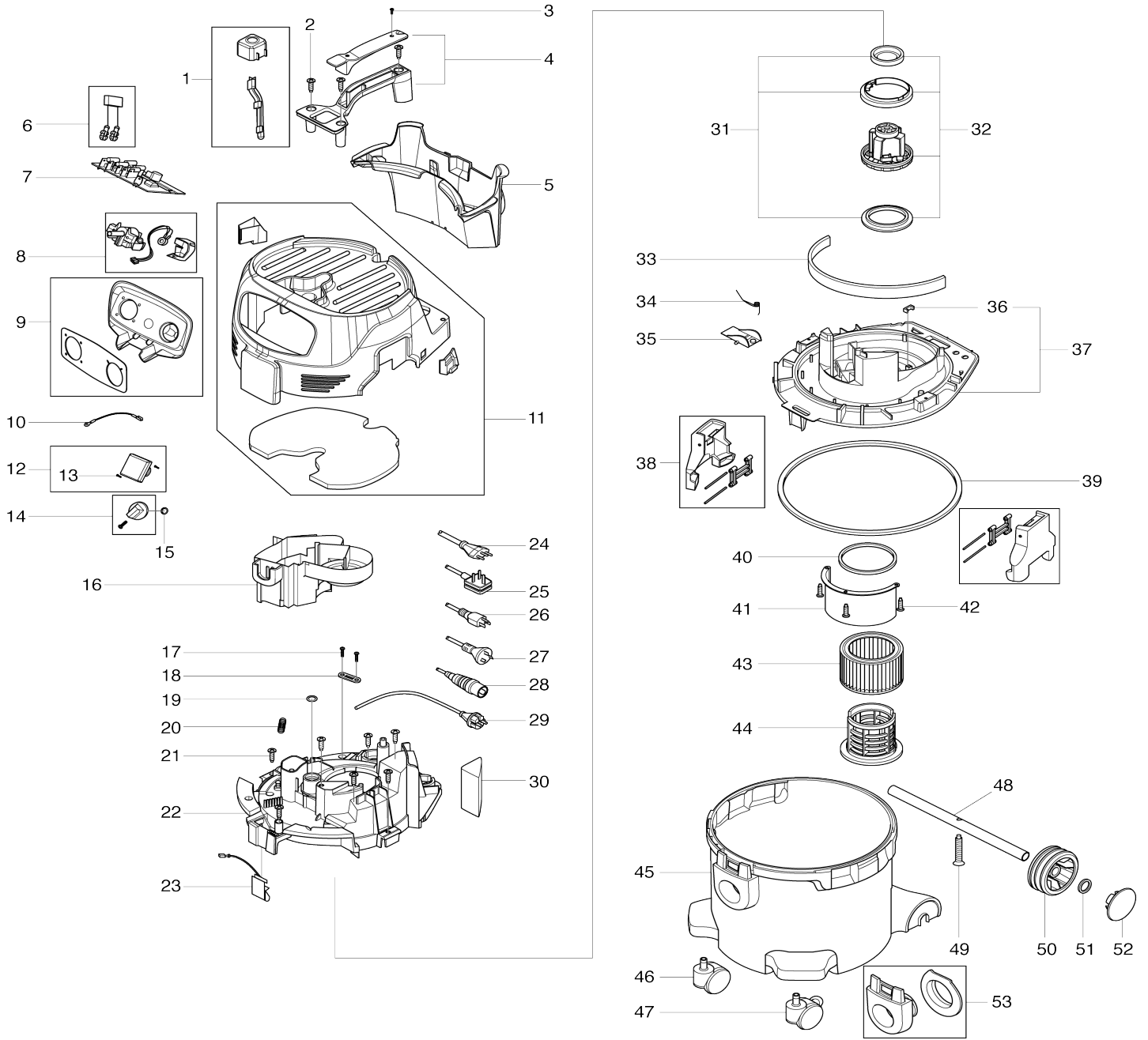


Model No.VC3012L VACUUM CLEANER



Model No.VC3012L VACUUM CLEANER

Obj. č.	Obj. č.	Popis	Možnost záměny	Množství	Nový/ Starý	Poznámka 1	Poznámka 2
001	W107417282	DEDUSTING KNOB (BLUE) WITH ROD		1			
002	W302004029	SCREW 5X18 TX20		3			
003	W302004032	SCREW 3,5X18 TX10		2			
004	W302004019	HANDLE (KIT)		1		rukoje	
005	W302004026	TOOLBOX		1		box na p	
006	W107404542	CAPACITOR 0.1 MICRO FARAD		1			
007	W107413467	ELECTRONIC AUTO ON/OFF 220-240		1		elektronika VC3012L	
008	W107413449	SWITCH KIT WITH POTENTIOMETER		1		vyp	
009	W107417283	SWITCHCASE VC3012L		1		ovl	
010	W107400264	WIRE 15QX150 GR/YE		1			
011	W107417284	COVER MAKITA VC3012L/M (KIT)		1			
012	W302004034	SOCKET *EU* - CEE7/4		1		hrdlo VC2012 VC2512 VC3011 VC3012 VC4210 =oldW302000151	
012		INC. 13					
013	W302004032	SCREW 3,5X18 TX10		2			
014	W909100222	ovládací knoflík		1		ovl	
015	W9868	O-RING 10x2.5 NBR70		1			
016	W302004015	AIRFLOW CHANNEL		1			
017	W302004032	SCREW 3,5X18 TX10		2			
018	W302004030	STRAP FOR CORD		1			
019	W302004061	O-RING 25X2 NBR70		1			
020	W302004031	TERMINAL STRIP 6-POL 16A		1			
021	W302004029	SCREW 5X18 TX20		7			
022	W302004009	CLAMPING PLATE MAKITA VC3012		1			
023	W302004023	CONTACT SPRING WITH WIRE		1			
029	W107400573	přívodní kabel=oldW302000559		1		p	
030	W302004045	SOUND ABSORBER FOR AIR OUTLET		1			
031	W302003385	ELASTIC SUSPENSION (KIT)		1			
032	W302003384	TURBINE 1200W 220-240V (KIT)		1		motor	
033	W302004010	SOUND ABSORBER FOR BASE PLATE		1			
034	W909100083	pružina		1		pru	
035	W302000344	klapka		1		klapka	
036	W107401937	PLUG FOR BASE PLATE		1			
037	W302004007	BASE PLATE VC3012		1			
038	W107400301	CONTAINER CLAMP		1	*	spona 1ks	
038-1	W107400301	CONTAINER CLAMP	O	2		spona 1ks	
039	W107400056	GASKET FOR CONTAINER		1			
040	W302000460	snění filtru		1		sn	
041	W302004016	DEFLECTOR PLATE		1			
042	W302004029	SCREW 5X18 TX20		3			
043	P-70219	filtrační patrona VC2010LVC2511/446L=old W302000490		1			
044	W107402646	KIT FILTER SUPPORT CAGE +FLOAT		1		plov	

045	W107417285	CONTAINER MAKITA VC3012L/M		1		
046	W46298	kolečko 443/446L		1	*	
046-1	W107415105	CASTOR 60	O	1		kole
047	W302000557	CASTOR 60 WITH BRAKE		1		
048	W302004022	WHEEL AXLE		1		h
049	W107400063	SCREW 5X35		1		
050	W302000465	WHEEL 100		2		kolo VC3012L VC3012 M
051	W47302	kroužek		2		krou
052	W107417286	WHEEL CAP MAKITA BLUE		2		kryt VC3012L VC3012 M
053	W107402742	FITTING WITH CLAMPING PLATE		1		
054	P-70437	2 dílná rovná trubka =oldW1554 6		1		
055	W302004027	TUBE HOLDER-HOOK (KIT)		1		
056	W302004018	TUBE HOLDER-SNAP (KIT)		1		
057	W6084	štěrbinová hubice 446L		1		
058	W14682	TOOL NOZZLE 32/TOOL ADAPTE R		1	*	
058-1	W107418688	TOOL ADAPTER 38	<	1		
059	P-70346	zahnutá rukojeť inox		1		
060	P-70378	adaptér pro hadice s rychloupínáním		1		
061	W46947	HOSE CONNECTOR FOR CLICK SYSTEM		1	*	
061-1	W107417866	HOSE CONNECTOR CLICK SYSTEM 32	O	1		
062	W30928	HOSE SLEEVE 32/50 AS		1		adapt
063	W107417287	SUCTION HOSE 32MMx4M BLACK AS		1		
064	P-81789	FLOOR NOZZLE D36X300 WET/DRY		1		
065	P-70219	filtrační patrona VC2010LVC2511 /446L=old W302000490		1	*	
065-1	P-70194	papír.sáčky do vysavače 5ks 446L =oldW302000565	X	1	*	
065-2	P-84078	FLEECE FILTER BAG VC3012(5PCS)	O	1		
066	P-84084	SUCTION HOSE 32MM4M BLK AS CPL		1		
066		INC. 61-63				
A01	W107418678	TOOL ADAPTOR 22 REGULATION		1		

Prosím uveďte objednací číslo dílu v objednávce

Datum tisku 06. 11. 2024