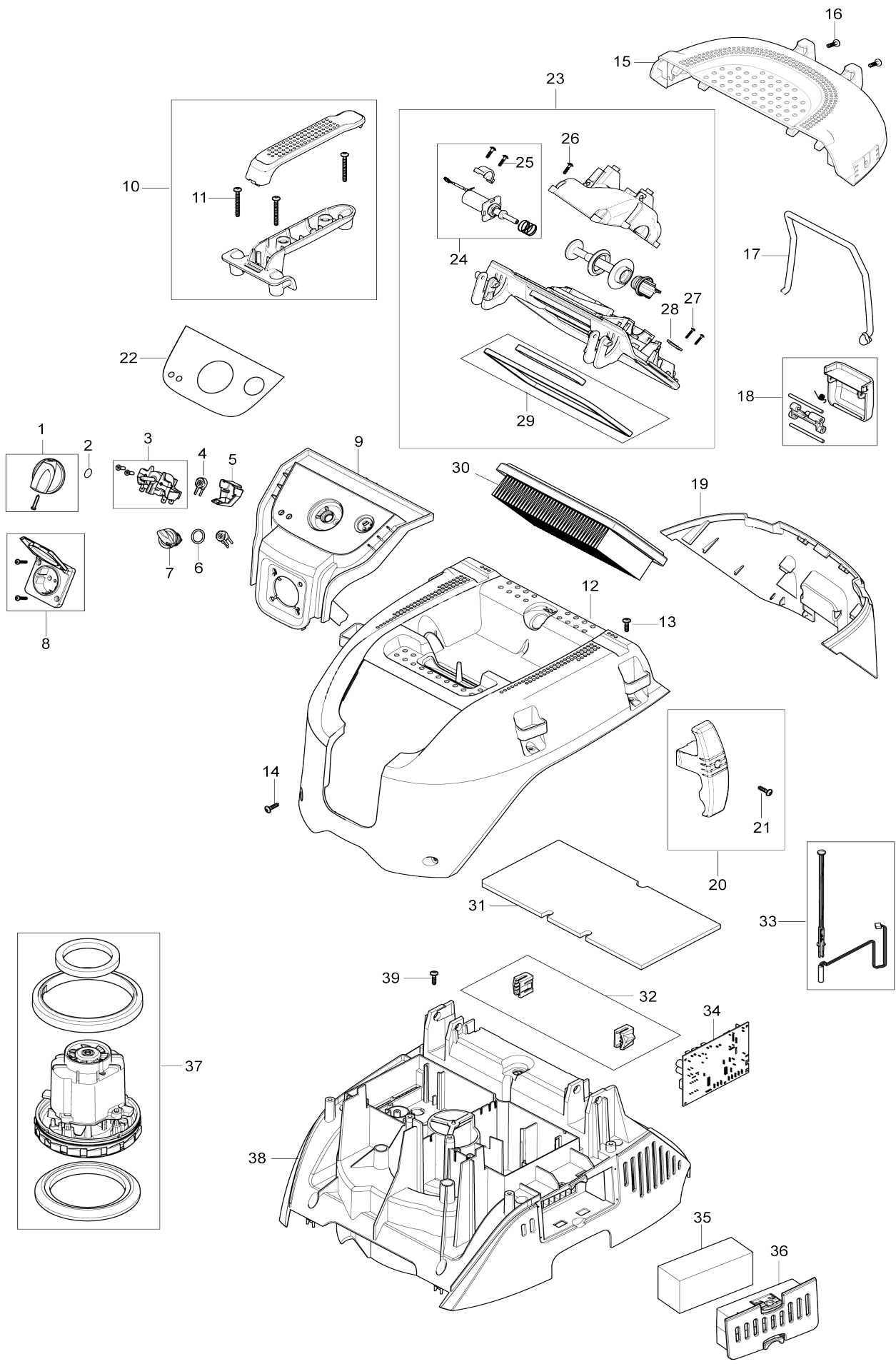
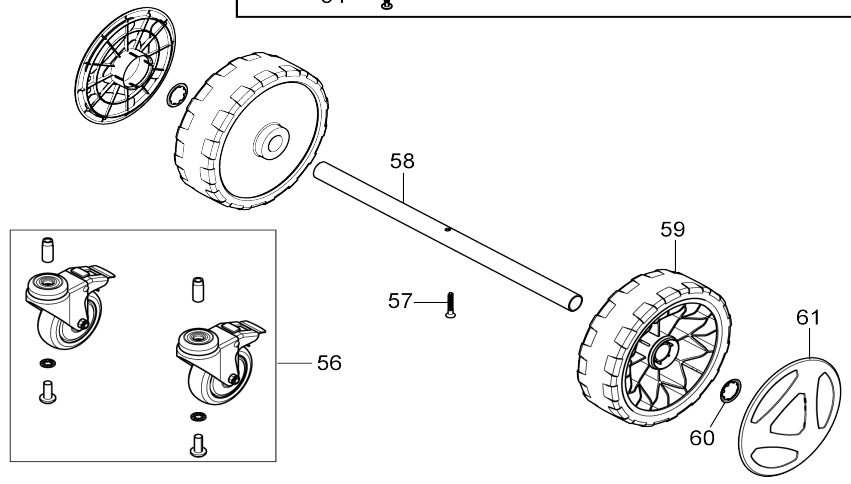
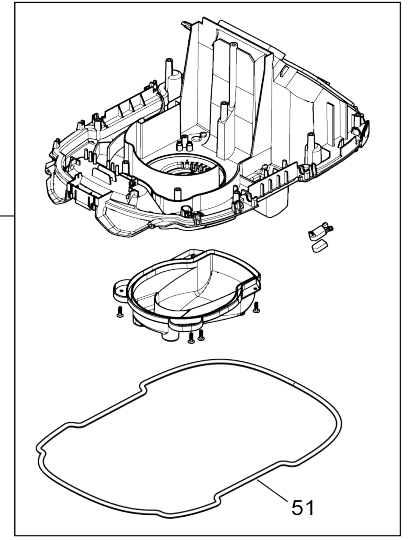
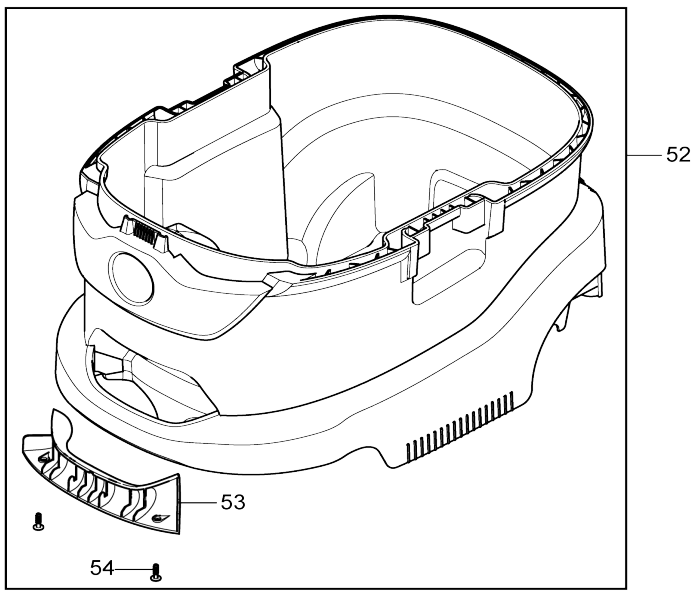
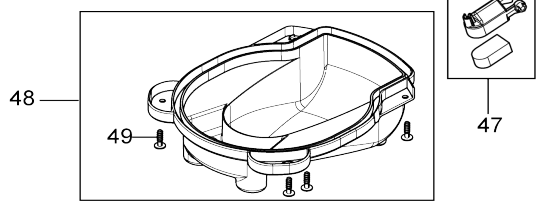
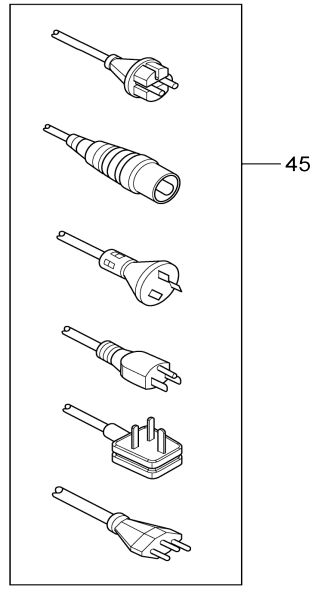
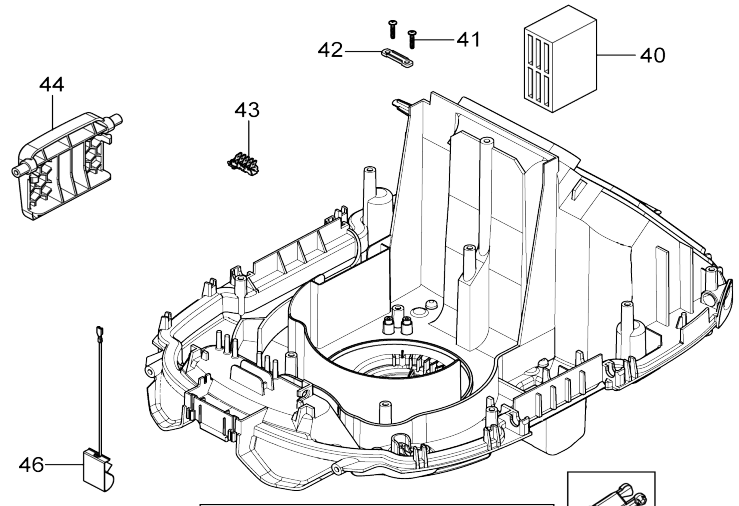


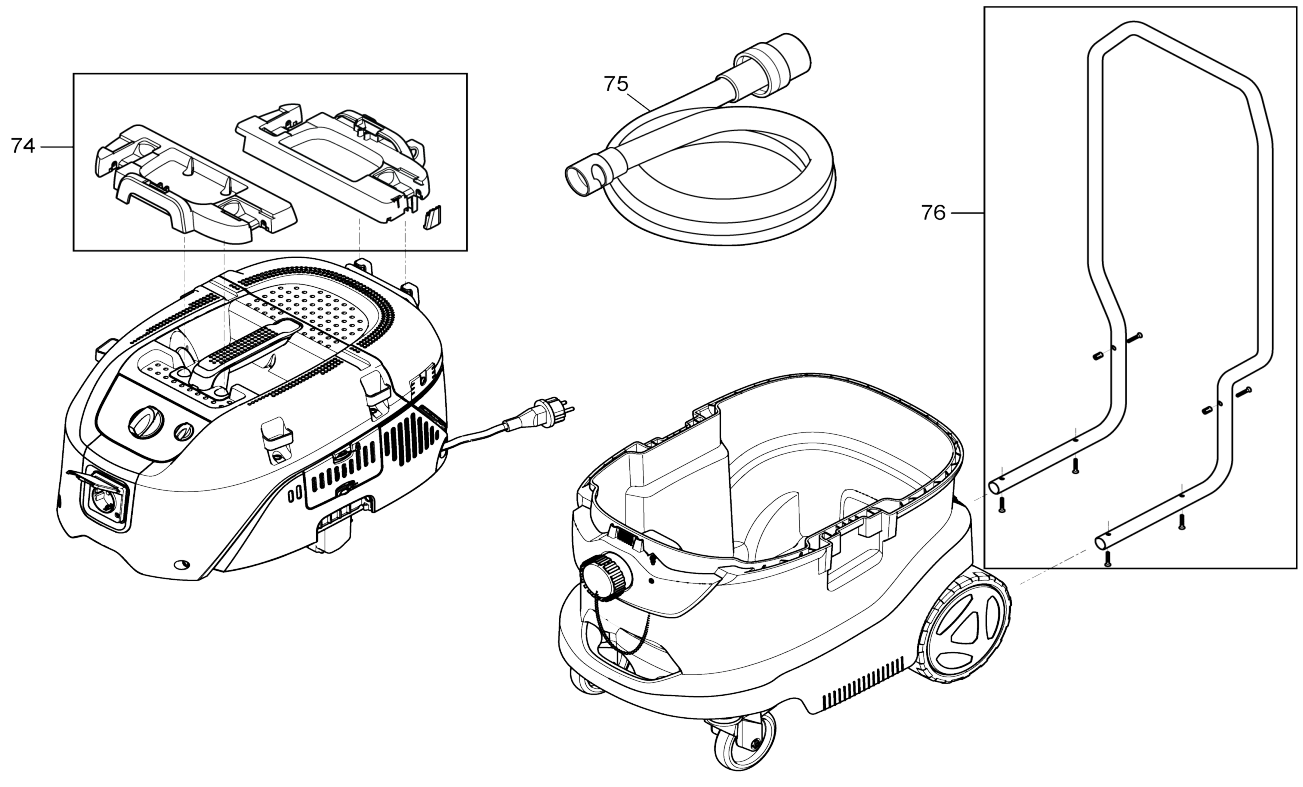
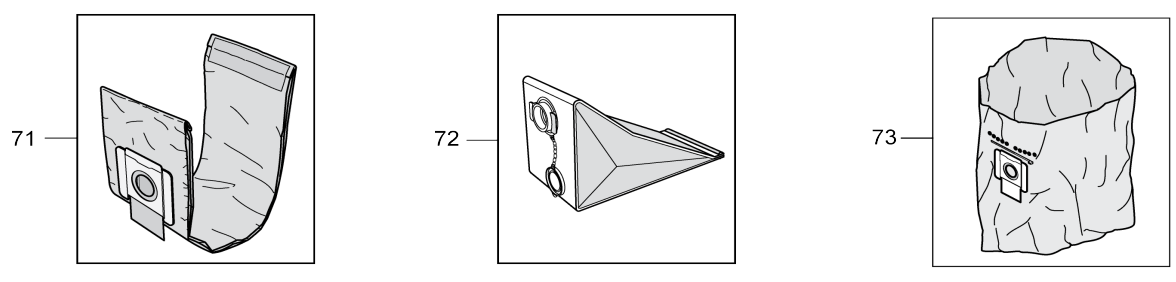
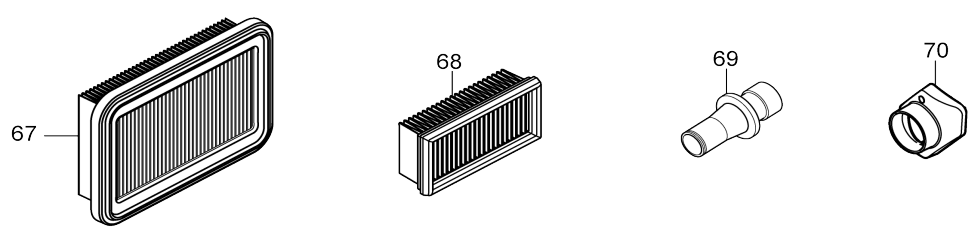
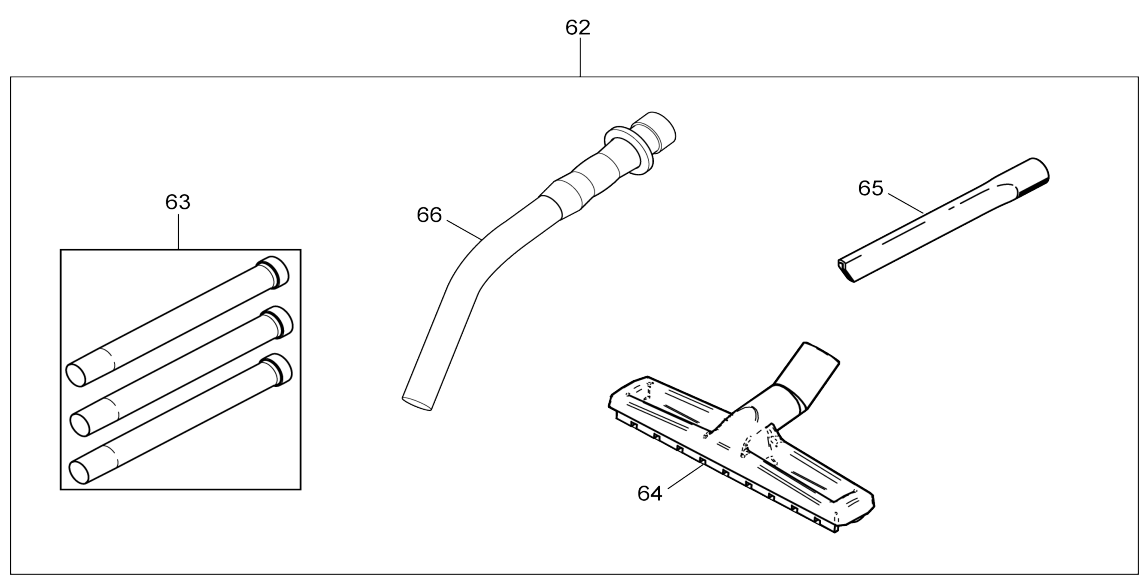
Model No.VC4210L VACUUM CLEANER



Model No.VC4210L VACUUM CLEANER



Model No.VC4210L VACUUM CLEANER



Model No.VC4210L VACUUM CLEANER

Obj. č.	Obj. č.	Popis	Možnost záměny	Množství	Nový/Stary	Poznámka 1	Poznámka 2
001	W909100222	ovládací knoflík		1		ovl	
002	W9868	O-RING 10x2.5 NBR70		1			
003	W107415085	ROTARY SWITCH 5POS. 16A		1		vyp	
004	W107415024	POTENTIOMETER		2		elektronika VC4210L VC4210M	
005	W107415080	CAP FOR POTENTIOMETER		1		kryt VC4210L VC4210M	
006	W107417587	O-RING 16X2		1	*		
007	W107418673	SWITCH KNOB		1	*	d	
007-1	W107416106	SWITCH KNOB	S	1			
008	W302004034	SOCKET *EU* - CEE7/4		1		hrdlo VC2012 VC2512 VC3011 VC3012 VC4210 =oldW302000151	
009	W107418664	CONTROL PANEL		1		elektronika VC4210	
010	W107418217	HANDLE KIT		1		madlo	
010		INC. 11					
011	W128500203	SCREW K50X45		3			
012	W107418665	MAKITA TOP COVER		1		kryt VC4210L	
013	W302004029	SCREW 5X18 TX20		4			
014	W302004029	SCREW 5X18 TX20		2			
015	W107418666	UPPER COVER		1		kryt	
016	W302004029	SCREW 5X18 TX20		2			
017	W107415035	CORD STRAP FOR CABLE		1		dr	
018	W107415032	HATCH DOOR CLAMP		1		zaji	
019	W107418667	LOWER COVER		1	*		
019-1	W107415029	LOWER COVER	X	1		kryt	
020	W107415083	HOSE/CABLE HOOK		2		dr	
020		INC. 21					
021	W302004029	SCREW 5X18 TX20		2			
022	W107418668	MAKITA CONTROL PANEL LABEL		1		etiketa VC4210L	
023	W107418665	MAKITA TOP COVER		1	*	kryt VC4210L	
023		INC. 24,26-29			*		
023-1	W107415027	FILTER RETAINER ASSY 220-240V	X	1		r	
023-1		INC. 24,26-29					
024	W107415031	SOLENOID KIT 220-240V		1		solenoid VC4210	
024		INC. 25					
025	W302004029	SCREW 5X18 TX20		2			
026	W302004029	SCREW 5X18 TX20		7			
027	W302004032	SCREW 3,5X18 TX10		2			
028	W5697	STRAP 3X8X33		1			
029	W107415090	HATCH DOOR FILTER GASKET		1		t	
030	W107413540	MAKITA FLAT FILTER		1			
031	W107417101	FOAM SEALING 298X148		1			
032	W107415075	HINGE SNAP 2PCS.		1			
033	W107415060	REED SENSOR		1			
034	W107415094	PCBA AUTO ON/OFF 220-240V		1		elektronika VC4210L	
035	W107415096	DIFFUSOR		1		difuzor VC4210L VC4210M	
036	W107418669	AIRGUIDE		1	*		
036-1	W107415052	COVER FOR MOTOR COOLING FI	X	1		kryt=oldW107418669	

		LTER				
037	W107415055	MOTOR 220-240V		1		motor VC4210L VC4210M
038	W107418670	AIRGUIDE		1	*	kryt VC4210L=newW107418669
038-1	W107418669	AIRGUIDE	X	1		
039	W302004029	SCREW 5X18 TX20		10		
040	W107417112	SOUND ABSORBER 83X55X35		1		tlumi
041	W302004032	SCREW 3,5X18 TX10		2		
042	W302004030	STRAP FOR CORD		1		
043	W302004031	TERMINAL STRIP 6-POL 16A		1		
044	W107415053	CONTAINER CLAMP		2		spona VC4210L VC4210M
045	W107400573	přívodní kabel=oldW302000559		1		p
046	W107417113	CONTACT SPRING W.WIRE		2		
047	W107415063	FLOATER WITH MAGNET		1		plov
048	W107415061	AIR FLOW COVER KIT		1		kryt VC4210
048		INC. 49				
049	W1814614	PT-SCREW K50X18 T20		4		
050	W107415074	BASE PLATE ASSEMBLY		1		kryt VC4210
050		INC. 51				
051	W107415050	CONTAINER SEALING		1		t
052	W107418663	MAKITA CONTAINER 42L		1	*	n
052		INC. 53,54			*	
052-1	W107418663	MAKITA CONTAINER 42L	O	1		n
052-1		INC. 53,54,56-61				
053	W107417124	HANDLE INNNER		1		
054	W302004029	SCREW 5X18 TX20		2		
055	W302004200	LABEL >DUST CLASS L<		1		
056	W107417573	CASTOR WHEEL D100 W.BRAKE 2 PCS		1		p
057	W107417864	SCREW K50X35 T20		1		
058	W302004022	WHEEL AXLE		1		h
059	W107417121	WHEEL D175		2		kolo
060	W47302	kroužek		2		krou
061	W107418043	WHEEL CAP D145		2		kryt kola
062	W107418349	MAKITA CLEANING SET		1		
062		INC. 63-66				
063	W107418350	MAKITA EXTENSION TUBES		3		
064	P-81789	FLOOR NOZZLE D36X300 WET/DRY		1		
065	W6084	štěrbinová hubice 446L		1		
066	P-70346	zahnutá rukojeť inox		1		
067	W107418351	PTFE FLAT FILTER VC4210L/M		1		
068	W107418352	MOTOR COOLING FILTER PET		1		
069	P-70378	adaptér pro hadice s rychloupínáním		1		
070	W107418358	EXHAUST AIR ADAPTER		1		
071	W107418353	FLEECE FILTER BAGS VC4210L/M		5		
072	W107418354	LONG-LIFE FILTER BAG		1		
C10	W107419626	C-PROFILE		1		
073	W107418355	DISPOSAL BAGS		5		
074	W107418357	MAK PAC HOLDER		2		

075	P-70421	antistatický adaptér VC2010 = ol d W14243		1	*		
075		INC. 078			*		
075-1	P-84084	SUCTION HOSE 32MM4M BLK AS CPL	X	1			
075-1		INC. 078					
076	W107418356	METAL HANDLE		1			
077	W107418688	TOOL ADAPTER 38		1			
078	W107417866	HOSE CONNECTOR CLICK SYSTE M 32		1			
A01	W107418678	TOOL ADAPTOR 22 REGULATION		1			
A02	P-70421	antistatický adaptér VC2010 = ol d W14243		1			

Prosím uveďte objednáč. číslo dílu v objednávce

Datum tisku 06. 11. 2024