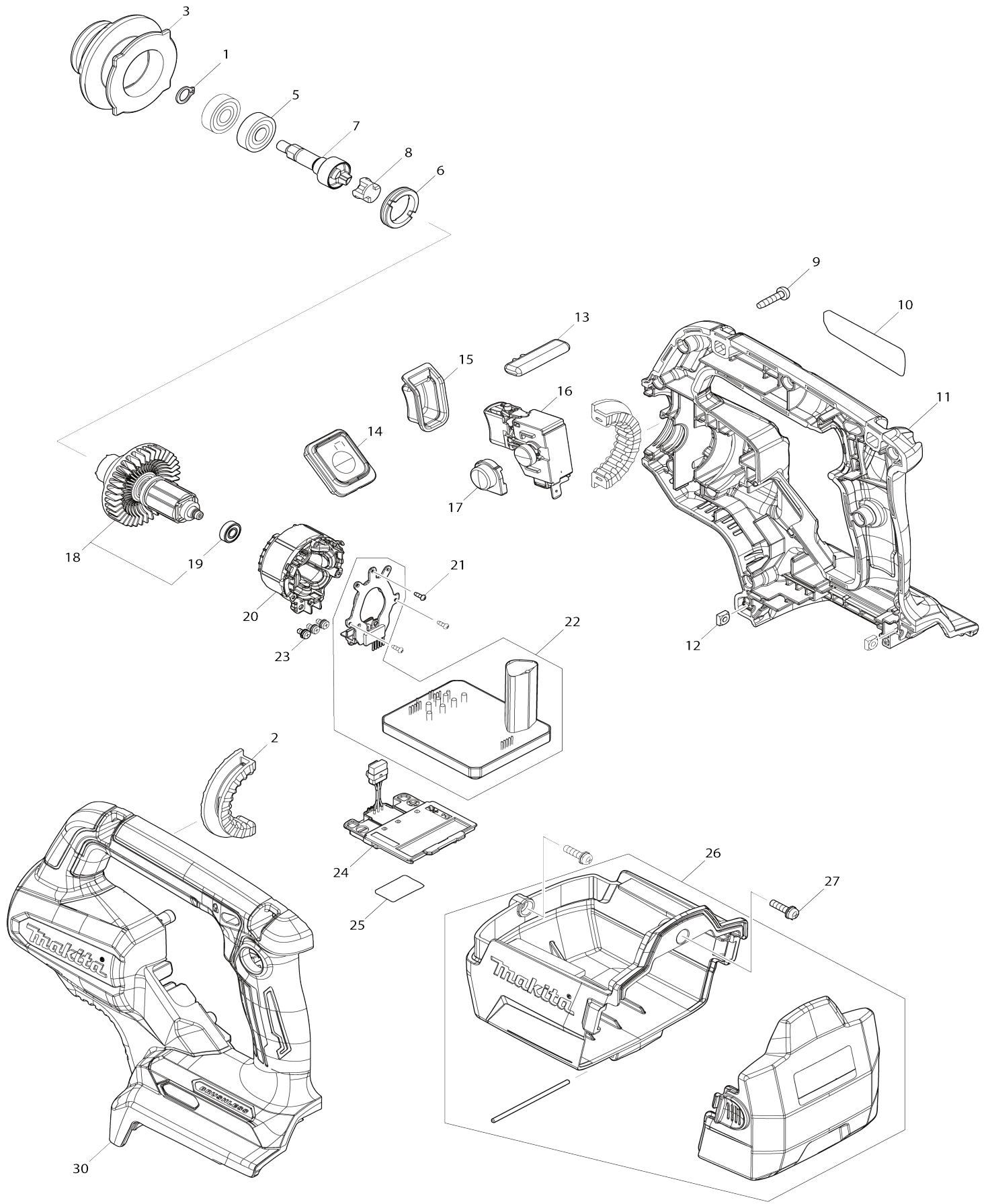


Model No.VR001G CORDLESS CONCRETE VIBRATOR



Model No.VR001G CORDLESS CONCRETE VIBRATOR

Obj. č.	Obj. č.	Popis	Možn ost zá měny	Množ ství	Nový/ Starý	Poznámka 1	Poznámka 2
001	961005-4	segrovka S-9		1			
002	422910-5	RUBBER RING		2		gumov	
003	313434-1	HOSE HOLDER		1		dr	
005	210051-7	BALL BEARING 609LLB		2			
006	285053-2	BEARING RETAINER 19-26		1		pouzdro	
007	141K76-5	SPINDLE COMPLETE		1		v	
008	424833-3	SPACER		1		distan	
009	266045-0	šroub 4x22 old 265999-8		11			
010	858L48-6	VR001G NAME PLATE		1			
011	183V84-6	HOUSING SET		1		obal	
C10	8005T5-8	XGT LOGO LABEL		1			
C20	263005-3	vymezovací čep 6		2			
011		INC. 30					
012	252173-7	SQUARE NUT		2			
013	458822-6	LOCK LEVER		1		p	
014	141K86-2	SWITCH CIRCUIT COMPLETE		1		vyp	
C10	8055V0-7	SWITCH LABEL		1			
015	422966-8	SWITCH COVER		1		kryt vyp	
016	651493-0	SWITCH C3JW-4CM-1L		1		vyp	
017	458819-5	LOCK ON BUTTON COVER		1		tla	
018	136692-0	ROTOR ASS'Y		1		rotor	
018		INC. 19					
019	210039-7	BALL BEARING 695DDW		1		lo	
020	629B21-1	STATOR		1		stator bez elektronik y DGA504	
021	266490-9	TAPPING SCREW PT 2X6		3			
022	620H52-9	CONTROLLER		1		ovl	
C10	688163-8	filtr		1		filtr AH3756 DCU180 DHS630 DHS710 DLM 460 DSS610 DTW190 DUH551 DUH651	
C20	688164-6	LINE FILTER		2			
023	652069-6	FLAT HEAD SCREW M3X6		3			
024	632P65-6	TERMINAL UNIT		1		termin	
025	858L51-7	VR001G SERIAL NO. LABEL		1			
026	136704-9	BATTERY CASE S ASS'Y		1	*	kryt baterie	
C10	816B52-1	CAUTION LABEL		1	*		
C20	810196-7	CAUTION LABEL		1	*		
026-1	136901-7	BATTERY CASE L ASS'Y	<	1			
C10	816B52-1	CAUTION LABEL		1			
C20	810196-7	CAUTION LABEL		1			
027	911128-8	P.H.SCREW M4X16 WITH WR		2			
030	183V84-6	HOUSING SET		1		obal	
C10	8005T5-8	XGT LOGO LABEL		1			
C20	263005-3	vymezovací čep 6		2			
030		INC. 11					
A01	781213-9	klíč 8		1		kl	
F01	1910C2-9	FLEXIBLE SHAFT 32-2.4 SET		1			
C10	HA00000309	SHAFT (2.0M)		1			

F02	1910C4-5	FLEXIBLE SHAFT 38-2.4 SET		1			
C10	HA00000309	SHAFT (2.0M)		1			
F03	1910E1-5	FLEXIBLE SHAFT 32-1.2 SET		1			
C10	HA00000307	SHAFT (1.0M)		1			
F04	1910E2-3	FLEXIBLE SHAFT 32-1.7 SET		1			
C10	HA00000308	SHAFT (1.5M)		1			
F05	1910E3-1	FLEXIBLE SHAFT 38-1.2 SET		1			
C10	HA00000307	SHAFT (1.0M)		1			
F06	1910J1-0	BATTERY CASE L SET		1			
F07	1910J4-4	BATTERY CASE H SET		1			

Prosím uveďte objednáací číslo dílu v objednávce

Datum tisku 06. 11. 2024