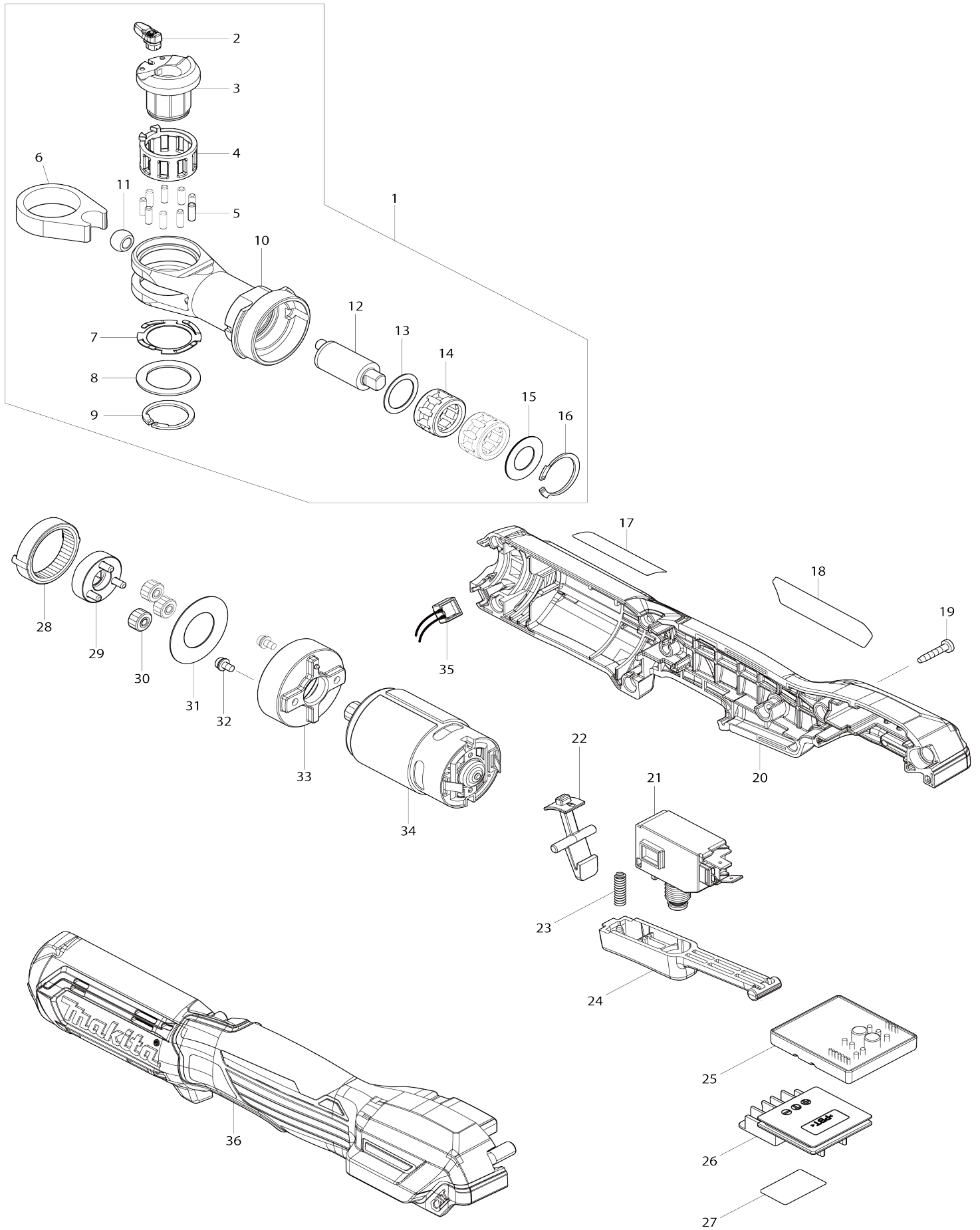


# Model No.WR100D CORDLESS RATCHET WRENCH



# Model No.WR100D CORDLESS RATCHET WRENCH

Obj. č.	Obj. č.	Popis	Možn ost zá měny	Množ ství	Nový/ Starý	Poznámka 1	Poznámka 2
001	127297-7	HEAD ASSEMBLY		1	*	hlava WR100D=new1 22H00-9	
001		INC. 2-16			*		
001-1	127297-7	HEAD ASSEMBLY	O	1	*	hlava WR100D=new1 22H00-9	
001-2	127297-7	HEAD ASSEMBLY	O	1	*	hlava WR100D=new1 22H00-9	
001-2		INC.2, 7-9			*		
001-3	122H00-9	HEAD ASSEMBLY	<	1		hlava WR100D=old12 7297-7	
001-3		INC.2, 7-9					
002	140K70-4	LEVER COMPLETE		1	*		
002-1	140K70-4	LEVER COMPLETE		1			
003	327360-8	ANVIL		1	*		
004	310954-6	RETAINER RING		1	*		
005	268301-4	PIN 3		9	*		
005-1	256963-0	PIN 3	O	9	*		
006	327357-7	RATCHET RING		1	*		
007	232531-3	LEAF SPRING		1	*		
007-1	232531-3	LEAF SPRING		1			
008	253440-3	FLAT WASHER 19		1	*		
008-1	253440-3	FLAT WASHER 19		1			
009	961078-7	segrovka S-18 BHR200/JR303		1	*	segrovka S-18 BHR20 0/JR303	
009-1	961078-7	segrovka S-18 BHR200/JR303		1		segrovka S-18 BHR20 0/JR303	
010	327356-9	RATCHET HEAD		1	*		
011	327359-3	BUSH		1	*		
012	327358-5	SPINDLE		1	*		
013	253147-1	Flat Washer 15		1	*	Flat Washer 15	
013-1	253450-0	FLAT WASHER 15	O	1	*		
014	212228-0	NEEDLE CAGE 1412		2	*		
015	253084-9	podložka 12		1	*	podlo	
015-1	253449-5	FLAT WASHER 12	O	1	*		
016	962112-6	pojistný kroužek R-22 BFL080F-B FL200F		1	*	pojistn	
018	855X38-2	WR100D NAME PLATE		1			
019	266429-2	TAPPING SCREW 3X16		7			
020	183L81-2	HOUSING SET		1		obal	
020		INC. 36					
021	651391-8	SWITCH C3JW-6BM-PN		1		vyp	
022	459422-5	LOCK LEVER		1		p	
023	232353-1	COMPRESSION SPRING 4		1			
024	459421-7	SWITCH LEVER		1		p	
025	620A96-7	CONTROLLER		1		ovl	
025		INC. 35					
026	644813-5	TERMINAL		1		terminal	
027	855X44-7	WR100D SERIAL NO. LABEL		1			
028	226897-1	INTERNAL GEAR 41		1		kolo 41	
029	140K71-2	CARRIER COMPLETE		1		ozuben	

030	226898-9	SPUR GEAR 14		3		kolo 14	
031	267235-8	podložka 6953		1		podlo	
032	265A38-0	P.H.SCREW M3X6 WITH WR		2			
033	310953-8	INTERNAL GEAR CASE		1		obal	
034	629413-2	DC MOTOR		1		motor	
035	620B10-9	LED CIRCUIT		1		LED okruh WR100D	
036	183L81-2	HOUSING SET		1		obal	
036		INC. 20					
A01	191A50-3	SOCKET ADAPTOR 9.5 SET		1			
C10	231952-6	RING SPRING 12		1	*	krou	
A02	191A51-1	SOCKET ADAPTOR 6.35 SET		1			
C10	231952-6	RING SPRING 12		1	*	krou	
A03	***DC10SB	DC10SB BATTERY CHARGER		1			
A03		COMPO-PARTS					
A04	197396-9	BATTERY BL1021B SET		1			
A04	197406-2	BATTERY BL1041B SET		1			
A09	832071-7	TOOL BAG		1			
A10	456128-6	BATTERY COVER		1			

Prosím uveďte objednáací číslo dílu v objednávce

Datum tisku 06. 11. 2024