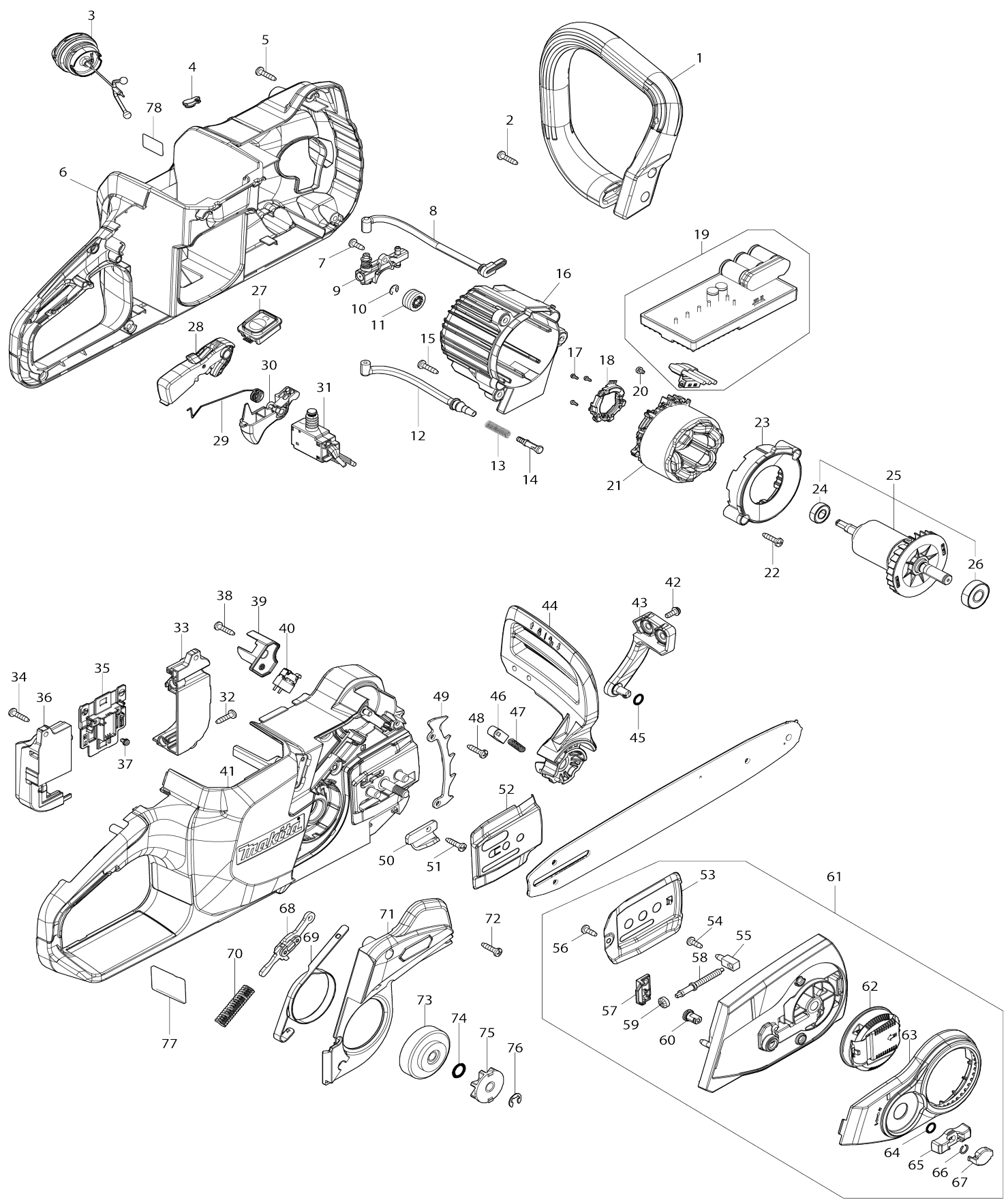


Model No. UC021G 300MM CORDLESS CHAIN SAW



Model No.UC021G 300MM CORDLESS CHAIN SAW

Obj. č.	Obj. č.	Popis	Možn ost zá měny	Množ ství	Nový/ Starý	Poznámka 1	Poznámka 2
001	413W79-4	FRONT HANDLE		1		p	
002	266326-2	šroub 4x18=new265995-6		4			
003	122A77-2	TANK CAP ASSEMBLY		1		v	
C10	213A30-0	O-RING 29.5		1			
004	422467-6	CAP		1		v	
005	266326-2	šroub 4x18=new265995-6		9			
006	1830U4-5	HOUSING SET		1		obal	
C10	8074U1-8	CAUTION LABEL		1			
006		INC. 4,41					
007	266427-6	TAPPING SCREW 4X12		1			
008	422B10-3	OIL TUBE 3-134		1		olejov	
009	140L95-4	OIL PUMP COMPLETE		1		olejov	
010	961011-9	zajišťovací kroužek		1		zaji	
011	226884-0	WORM GEAR		1		p	
012	422B09-8	OIL TUBE 3-114		1		olejov	
013	231975-4	pružina DCS230T/UC3020A=old0 21245060		1		pru	
014	452666-6	NIPPLE		1			
015	266326-2	šroub 4x18=new265995-6		3			
016	413W73-6	MOTOR HOUSING		1		sk	
017	652119-7	PAN HEAD SCREW M2X6		3			
018	632V15-7	SENSOR UNIT		1		jednotka sn	
019	620N62-2	CONTROLLER		1		ovlada	
020	652069-6	FLAT HEAD SCREW M3X6		3			
021	629C60-7	STATOR		1		stator	
022	266326-2	šroub 4x18=new265995-6		2			
023	413W74-4	BAFFLE PLATE		1		p	
024	210016-9	BALL BEARING 698ZZ		1		kuli	
025	519840-0	ROTOR ASSEMBLY		1		rotor	
025		INC. 24,26					
026	210059-1	BALL BEARING 6000DDW		1			
027	620N64-8	SWITCH CIRCUIT COMPLETE		1		sp	
028	141V01-2	LOCK OFF LEVER COMPLETE		1		p	
029	232850-7	TORSION SPRING 10		1		pru	
030	413C93-0	SWITCH LEVER		1		p	
031	650048-8	SWITCH C3JR-4B-PAND6-1		1		sp	
032	266326-2	šroub 4x18=new265995-6		2			
033	1830H3-6	TERMINAL BOX SET		1		svorkovnice	
C10	263005-3	vymezovací čep 6		2			
033		INC. 36					
034	266326-2	šroub 4x18=new265995-6		3			
035	632V23-8	TERMINAL UNIT		1		koncov	
036	1830H3-6	TERMINAL BOX SET		1		svorkovnice	
C10	263005-3	vymezovací čep 6		2			
036		INC. 33					
037	652031-1	PAN HEAD SCREW M3X6		2			
038	266326-2	šroub 4x18=new265995-6		1			
039	413W72-8	MICRO SWITCH GUARD		1		chr	

040	650057-7	SWITCH D2SW-P01L30-3M-C2(S)		1		sp	
041	1830U4-5	HOUSING SET		1		obal	
C10	8074U1-8	CAUTION LABEL		1			
041		INC. 4,6					
042	911118-1	šroub M4x12		2			
043	413W82-5	FRONT HAND GUARD RETAINER		1		chr	
044	413W68-9	FRONT HAND GUARD		1		chr	
045	213594-8	O RING 7		1		o-krou	
046	313398-9	HAND GUARD GUIDE		1		chr	
047	234210-9	COMPRESSION SPRING 3		1		pru	
048	266326-2	šroub 4x18=new265995-6		2			
049	347925-0	SPIKE BUMPER		1		doraz	
050	347924-2	CHAIN CATCHER		1		kryt	
051	266326-2	šroub 4x18=new265995-6		1			
052	347C01-8	GUIDE PLATE		1		deska	
053	347C02-6	GUIDE PLATE R		1			
054	266427-6	TAPPING SCREW 4X12		2			
055	327D00-2	ADJUST PIN		1			
056	266427-6	TAPPING SCREW 4X12		1			
057	413W88-3	COVER		1			
058	327C99-1	ADJUST SCREW		1			
059	227496-2	ozubené kolo UC3020A=old226213320		1		ozuben	
060	227B20-3	STRAIGHT BEVEL GEAR 14		1			
061	137157-5	SPROCKET COVER ASS'Y		1		kryt	
061		INC. 53-60,62-67					
062	162D07-9	NUT COMPLETE		1			
063	413W85-9	NUT COVER		1			
064	213011-8	O Ring = old 461009		1		o krou	
065	413W87-5	DIAL 40		1			
066	232788-6	RING SPRING 7		1			
067	413W89-1	CAP		1			
068	141E60-4	LINK PLATE COMPLETE		1		deska	
069	347922-6	BRAKE BAND COMPLETE		1		brzdov	
070	232452-9	COMPRESSION SPRING 7		1		pru	
071	137076-5	BRAKE COVER ASSEMBLY		1		kryt	
072	266326-2	šroub 4x18=new265995-6		3			
073	162979-4	BRAKE DRUM		1		brzdov	
074	213060-5	O RING 10		1		o-krou	
075	227905-1	SPROCKET 7		1	*		
075-1	191V91-5	SPROCKET 7 SET	O	1			
076	961013-5	zajišťovací kroužek		1		zaji	
077	8144J1-4	UC021G NAME PLATE		1			
078	8144J2-2	UC021G SERIAL NO.LABEL		1			
A01	191T86-6	GUIDE BAR 12 SET		1			
A02	413G23-5	GUIDE BAR CASE 360		1	*		
A02-1	413G23-5	GUIDE BAR CASE 360	O	1			
A04	191T90-5	SAW CHAIN 12 SET		1			
A05	782023-7	WRENCH 13-16		1			
A06	412393-7	BATTERY COVER		1			
A07	***DC40RA	DC40RA FAST CHARGER		1			
A07		COMPO-PARTS					

A08	191L47-8	BATTERY BL4050F SET		1			
-----	----------	---------------------	--	---	--	--	--

Prosím uveďte objednáací číslo dílu v objednávce

Datum tisku 08. 11. 2024