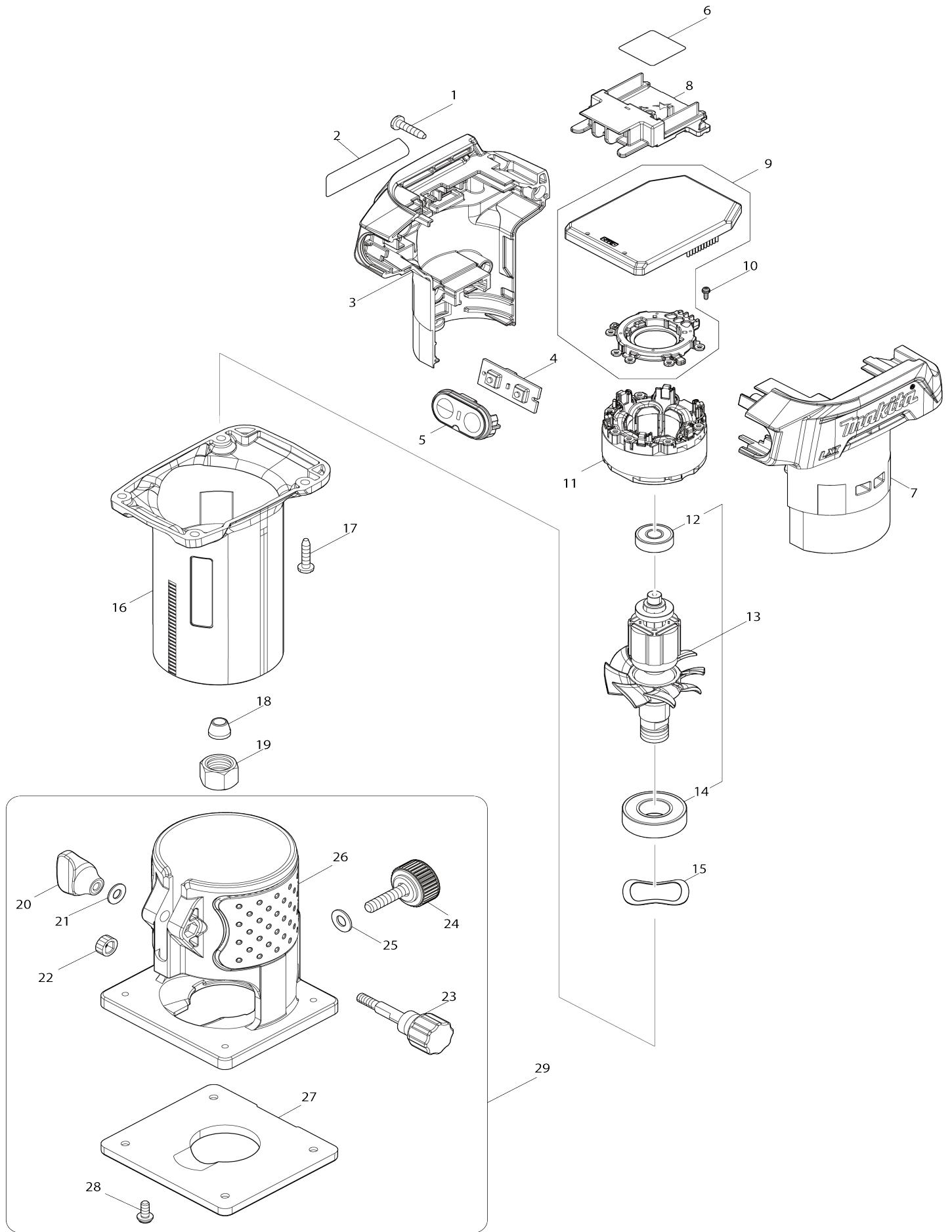


Model No.DRT52 CORDLESS TRIMMER



Model No.DRT52 CORDLESS TRIMMER

| Obj. č. | Obj. č. | Popis | Možn ost zá měny | Množ ství | Nový/ Starý | Poznámka 1 | Poznámka 2 |
|---------|----------|--|------------------------|--------------|----------------|-------------|------------|
| 001 | 266326-2 | šroub 4x18=new265995-6 | | 4 | | | |
| 002 | 8145G5-1 | DRT52 NAME PLATE | | 1 | | | |
| 003 | 1830K8-7 | HOUSING SET | | 1 | | obal | |
| C10 | 263005-3 | vymezovací čep 6 | | 2 | | | |
| 003 | | INC. 7 | | | | | |
| 004 | 620P27-6 | SWITCH CIRCUIT | | 1 | | sp | |
| 005 | 141V04-6 | SWITCH PLATE COMPLETE | | 1 | | kryt vyp | |
| 006 | 8145G6-9 | DRT52 SERIAL NO. LABEL | | 1 | | | |
| 007 | 1830K8-7 | HOUSING SET | | 1 | | obal | |
| C10 | 263005-3 | vymezovací čep 6 | | 2 | | | |
| 007 | | INC. 3 | | | | | |
| 008 | 643874-2 | TERMINAL | | 1 | | kontakt | |
| 009 | 620P26-8 | CONTROLLER | | 1 | | elektronika | |
| 010 | 652119-7 | PAN HEAD SCREW M2X6 | | 6 | | | |
| 011 | 629C71-2 | STATOR | | 1 | | stator | |
| 012 | 210017-7 | kuličkové ložisko 607DDW = old 922056 | | 1 | | kuli | |
| 013 | 519858-1 | ROTOR ASSEMBLY | | 1 | | rotor | |
| 013 | | INC. 12,14 | | | | | |
| 014 | 211236-8 | kulič. ložisko 6002DDW = old 211 227-9 | | 1 | | kuli | |
| 015 | 267785-3 | WAVE WASHER 23 | | 1 | | podlo | |
| 016 | 141V03-8 | OUTER HOUSING COMPLETE | | 1 | | vn | |
| 017 | 266326-2 | šroub 4x18=new265995-6 | | 4 | | | |
| 018 | 763662-2 | upínací kleština 6mm 3709-3710 | | 1 | | | |
| 019 | 763661-4 | matka 6 mm 3709-3710 | | 1 | | | |
| 020 | 252652-5 | křídlová matice M5 3709-3710 | | 1 | | k | |
| 021 | 941101-4 | podložka 5 | | 1 | | podlo | |
| 022 | 226217-9 | ozubené kolo 16 | | 1 | | ozuben | |
| 023 | 265771-8 | šroub M5x33 3709-3710 | | 1 | | | |
| 024 | 265763-7 | THUMB SCREW M6X25 | | 1 | | | |
| 025 | 941151-9 | podložka 6 = old 253047-5 | | 1 | | podlo | |
| 026 | 419138-4 | základna 3709 | | 1 | | z | |
| 027 | 410585-2 | základní deska | | 1 | | z | |
| 028 | 265142-9 | + PAN HEAD SCREW M4X10 | | 4 | | | |
| 029 | 194267-1 | TRIMMER BASE ASSEMBLY SET | | 1 | | | |
| 029 | | INC. 20-28 | | | | | |
| A01 | 122703-7 | vodítka 3709-3710=old122389-7 | | 1 | | | |
| C10 | 251471-6 | šroub M5=old251420-3 | | 1 | | | |
| C20 | 265135-6 | + COUNTERSUNK HEAD SCREW M4X10 | | 1 | | | |
| C30 | 265763-7 | THUMB SCREW M6X25 | | 1 | | | |
| C40 | 265764-5 | šroub = old 251819-2 | | 1 | | | |
| C50 | 317788-8 | GUIDE HOLDER | | 1 | | | |
| C60 | 324378-0 | ROLLER 11 | | 1 | | | |
| C70 | 341136-9 | 057035 | | 1 | | deska | |
| C80 | 941151-9 | podložka 6 = old 253047-5 | | 1 | | podlo | |
| A02 | 122704-5 | STRAIGHT GUIDE ASS'Y | | 1 | | | |
| C10 | 252649-4 | křídlová matka M6 | | 1 | | k | |

| | | | | | | |
|-----|-----------|------------------------|--|---|--|---------------------------------|
| C20 | 266339-3 | šroub 6x20 | | 1 | | |
| C30 | 343593-7 | 059401 | | 1 | | |
| A03 | 191Y83-2 | STRAIGHT BIT 6 SET | | 1 | | |
| A04 | 343577-5 | vodící objímka 10 | | 1 | | vod |
| A05 | 781036-5 | WRENCH 10 | | 1 | | |
| A06 | 781037-3 | WRENCH 17 | | 1 | | |
| A07 | 418647-0 | CHIP DEFLECTOR | | 1 | | kryt 3709_3710 =old4 11115-2 |
| A08 | 821798-4 | PLASTIC CASE | | 1 | | |
| C10 | 162315-4 | LATCH | | 2 | | |
| A09 | ***DC18SD | DC18SD BATTERY CHARGER | | 1 | | |
| A09 | | COMPO-PARTS | | | | |
| A10 | 197600-6 | BATTERY BL1830B SET | | 1 | | |

Prosím uveďte objednáací číslo dílu v objednávce

Datum tisku 08. 11. 2024