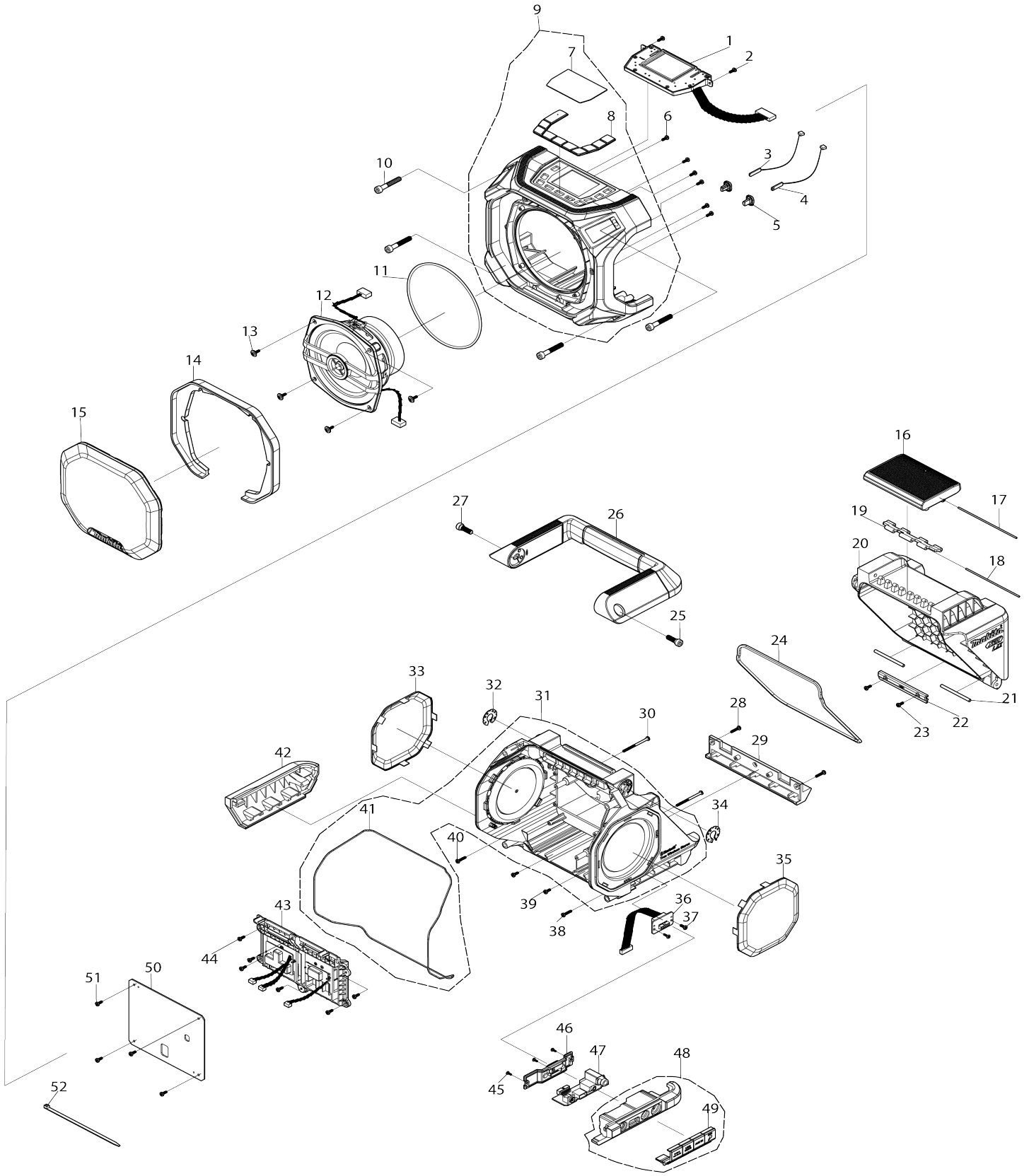


Model No.MR014G CORDLESS JOB SITE SPEAKER



Model No.MR014G CORDLESS JOB SITE SPEAKER

Obj. č.	Obj. č.	Popis	Možn ost zá měny	Množ ství	Nový/ Starý	Poznámka 1	Poznámka 2
001	SE00001259	PCB C ASSY		1		elektronika	
002	SE00000521	SCREW PTB 3X8(ZK) 29S1630800 1		2			
003	SE00001260	PCB E ASSY(L)		1		elektronika	
004	SE00001261	PCB E ASSY(R)		1		elektronika	
005	SE00001262	LED RUBBER		2		guma	
006	SE00000521	SCREW PTB 3X8(ZK) 29S1630800 1		6			
007	SE00001263	DISPLAY PLATE		1		zobrazovac	
008	SE00001264	RUBBER KEY		1		kl	
009	SE00001265	FRONT CABINET ASSY		1		p	
009		INC. 7,8					
010	SE00000530	SCREW PTHE 6X37(CR) 29S17937 01		4			
011	SE00001266	SPEAKER PACKING		1		reproduktor	
012	SE00001267	SPEAKER ASSY		1		reproduktor	
013	SE00000557	SCREW PTPW 3X10(ZK) 29S15310 00		4			
014	SE00001268	FRONT LENS		1		p	
015	SE00001269	SPEAKER GRILL ASSY		1		elektronika	
016	SE00001270	LOCKER COVER		1		kryt sk	
017	SE00001271	PIN D2X108		1			
018	SE00001272	PIN D2X99		1			
019	SE00001273	LOCKER HINGE		1		zamek	
020	SE00001274	BATTERY COVER ASSY		1		kryt	
021	SE00001275	PIN D4X54		2			
022	SE00001276	PIN HOLDER		1		dr	
023	SE00000521	SCREW PTB 3X8(ZK) 29S1630800 1		2			
024	SE00001277	BATTERY PACKING		1		pouzdro	
025	SE09176166	šroub M6x16 BMR100		1			
026	SE00001278	HANDLE ASSY		1		rukoje	
027	SE09176166	šroub M6x16 BMR100		1			
028	SE00000451	SCREW PTB 3X12 ZK 29S1631200 1		2			
029	SE00001279	REAR BUMPER		1		doraz	
030	SE00000445	SCREW PTB 3X45(NI)		2			
031	SE00001280	REAR CABINET ASSY		1		zadn	
031		INC. 41					
032	SE00001281	HANDLE SUS PLATE		1		rukoje	
033	SE00001282	PASSIVE GRILL		1		reproduktor	
034	SE00001281	HANDLE SUS PLATE		1		rukoje	
035	SE00001282	PASSIVE GRILL		1		reproduktor	
036	SE00001283	PCB D ASSY		1		elektronika	
037	SE00000521	SCREW PTB 3X8(ZK) 29S1630800 1		2			
038	SE00000451	SCREW PTB 3X12 ZK 29S1631200 1		1			
039	SE00000521	SCREW PTB 3X8(ZK) 29S1630800 1		2			
040	SE00000451	SCREW PTB 3X12 ZK 29S1631200		1			

		1				
041	SE00001284	REAR PACKING		1		zadn
042	SE00001285	REAR BUMPER L		1		doraz
043	SE00001286	TERMINAL ASSY		1		terminal
044	SE00000521	SCREW PTB 3X8(ZK) 29S1630800 1		6		
045	SE00000521	SCREW PTB 3X8(ZK) 29S1630800 1		3		
046	SE00001287	JACK COVER ASSY		1		kryt z
047	SE00001288	PCB B ASSY		1		elektronika
048	SE00001289	REAR BUMPER R ASSY		1		zadn
048		INC. 49				
049	SE00001290	JACK RUBBER COVER		1		kryt
050	SE00001291	PCB A ASSY		1		elektronika
051	SE00000521	SCREW PTB 3X8(ZK) 29S1630800 1		4		
052	SE00000195	W/TIES 100MM		1		
A01	SE00001249	AC ADAPTER CE		1		

Prosím uveďte objednáč. číslo dílu v objednávce

Datum tisku 08. 11. 2024