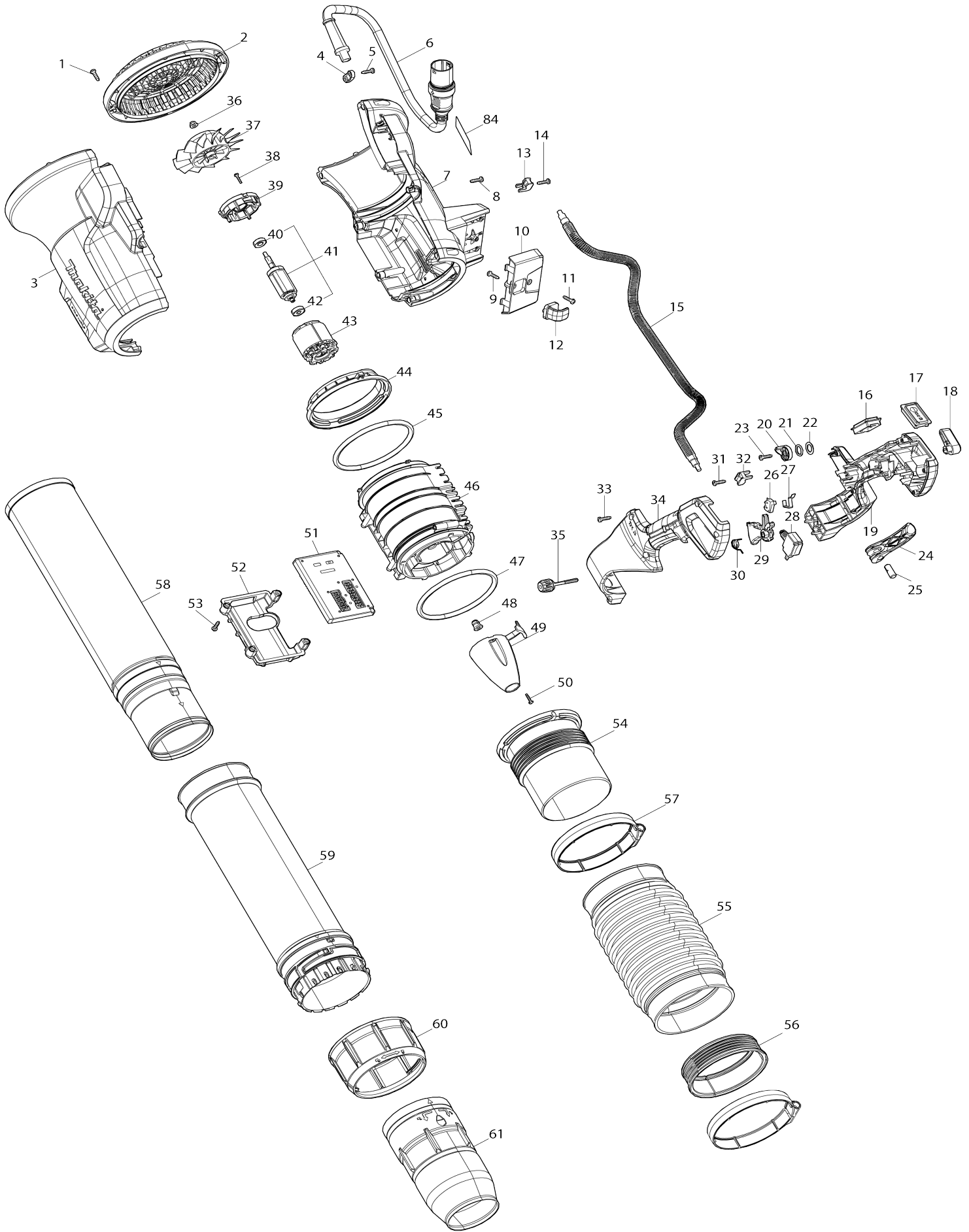
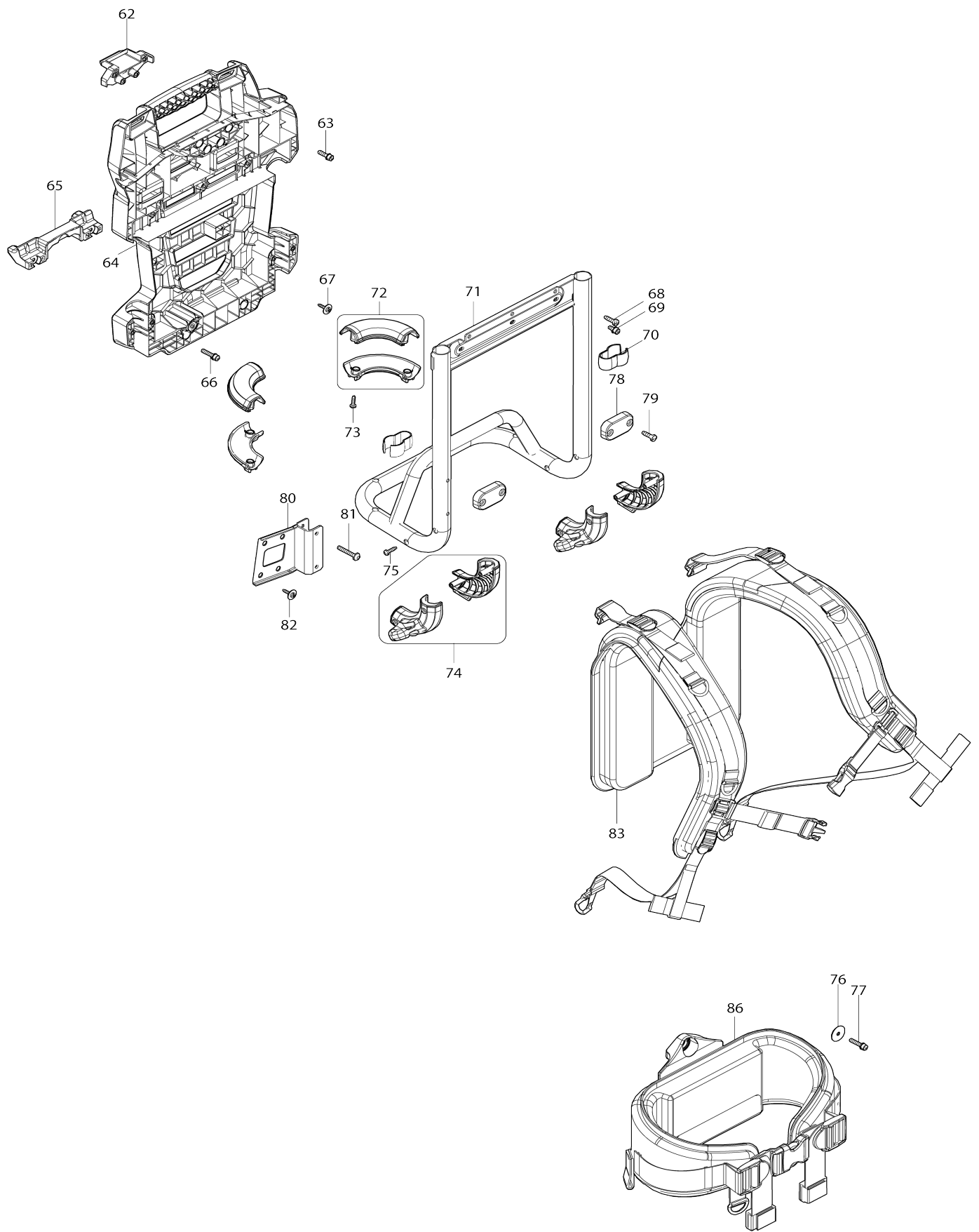


Model No.UB004C BATTERY POWERED BKPK BLOWER



Model No.UB004C BATTERY POWERED BKPK BLOWER



Model No.UB004C BATTERY POWERED BKPK BLOWER

| Obj. č. | Obj. č. | Popis | Možn ost zá měny | Množ ství | Nový/ Starý | Poznámka 1 | Poznámka 2 |
|---------|----------|-------------------------------------|------------------------|--------------|----------------|---------------|------------|
| 001 | 266326-2 | šroub 4x18=new265995-6 | | 4 | | | |
| 002 | 413X98-6 | REAR COVER | | 1 | | zadn | |
| 003 | 1830S3-3 | HOUSING SET | | 1 | * | obal stroje | |
| C10 | 8011Y4-4 | CAUTION LABEL | | 1 | * | | |
| 003 | | INC. 7 | | | * | | |
| 003-1 | 1830S3-3 | HOUSING SET | O | 1 | | obal stroje | |
| C10 | 8012T7-9 | CAUTION LABEL | O | 1 | | | |
| 003-1 | | INC. 7 | | | | | |
| 004 | 687149-9 | STRAIN RELIEF | | 1 | | | |
| 005 | 266326-2 | šroub 4x18=new265995-6 | | 2 | | | |
| 006 | 699239-6 | POWER SUPPLY CORD UNIT | | 1 | | kabel | |
| 007 | 1830S3-3 | HOUSING SET | | 1 | * | obal stroje | |
| C10 | 8011Y4-4 | CAUTION LABEL | | 1 | * | | |
| 007 | | INC. 3 | | | * | | |
| 007-1 | 1830S3-3 | HOUSING SET | O | 1 | | obal stroje | |
| C10 | 8012T7-9 | CAUTION LABEL | O | 1 | | | |
| 007-1 | | INC. 3 | | | | | |
| 008 | 266326-2 | šroub 4x18=new265995-6 | | 8 | | | |
| 009 | 266326-2 | šroub 4x18=new265995-6 | | 1 | | | |
| 010 | 413X89-7 | FRAME COVER | | 1 | | r | |
| 011 | 266326-2 | šroub 4x18=new265995-6 | | 1 | | | |
| 012 | 413Y30-6 | CLAMP | | 1 | | spona | |
| 013 | 687260-7 | držák kabelu GA5020/6020/HR22 30 | | 1 | | dr | |
| 014 | 266326-2 | šroub 4x18=new265995-6 | | 1 | | | |
| 015 | 699240-1 | POWER SUPPLY CORD UNIT | | 1 | | kabel | |
| 016 | 620N41-0 | SWITCH CIRCUIT COMPLETE | | 1 | | vyp | |
| 017 | 620N42-8 | SWITCH CIRCUIT COMPLETE | | 1 | | elektronika | |
| 018 | 413G66-7 | CONTROL LEVER | | 1 | | p | |
| 019 | 1830J3-0 | LEVER CASE SET | | 1 | | kryt rukojeti | |
| 019 | | INC. 34 | | | | | |
| 020 | 412754-1 | LINK | | 1 | | spoj | |
| 021 | 213154-6 | o kroužek 14 | | 1 | | o krou | |
| 022 | 253798-0 | podložka 13 HP2000=old341663 -6 | | 1 | | podlo | |
| 023 | 266326-2 | šroub 4x18=new265995-6 | | 1 | | | |
| 024 | 413Y06-3 | LEVER | | 1 | | p | |
| 025 | 256A58-5 | PIN 9 | | 1 | | | |
| 026 | 632V43-2 | SWITCH UNIT | | 1 | | vyp | |
| 027 | 232634-3 | LEAF SPRING | | 1 | | pru | |
| 028 | 650056-9 | SWITCH C3JR-1AT-PAXD5 | | 1 | | vyp | |
| 029 | 413X92-8 | SWITCH LEVER | | 1 | | p | |
| 030 | 232853-1 | TORSION SPRING 12 | | 1 | | pru | |
| 031 | 266326-2 | šroub 4x18=new265995-6 | | 1 | | | |
| 032 | 687260-7 | držák kabelu GA5020/6020/HR22 30 | | 1 | | dr | |
| 033 | 266326-2 | šroub 4x18=new265995-6 | | 6 | | | |
| 034 | 1830J3-0 | LEVER CASE SET | | 1 | | kryt rukojeti | |
| 034 | | INC. 19 | | | | | |

| | | | | | | |
|-----|----------|----------------------------|--|---|--|-----------------------------------|
| 035 | 413Y07-1 | THUMB SCREW M5X45 | | 1 | | |
| 036 | 252286-4 | COLLARED HEX.LOCK NUT M5-8 | | 1 | | matka M5-8 DUB184 =old252103-8 |
| 037 | 240237-9 | FAN 110 | | 1 | | ventil |
| 038 | 266130-9 | šroub PT 3X | | 4 | | |
| 039 | 413X94-4 | MOTOR HOUSING COVER | | 1 | | kryt motoru |
| 040 | 211166-3 | BALL BEARING 698DDW | | 1 | | lo |
| 041 | 519847-6 | ROTOR ASSEMBLY | | 1 | | rotor |
| 041 | | INC. 40,42 | | | | |
| 042 | 210310-9 | BALL BEARING 626DDW | | 1 | | |
| 043 | 629C63-1 | STATOR | | 1 | | stator |
| 044 | 413X97-8 | REAR RETAINER | | 1 | | obj |
| 045 | 424721-4 | RUBBER RING 115 | | 1 | | gumov |
| 046 | 137129-0 | MOTOR HOUSING ASSEMBLY | | 1 | | kryt motoru |
| C10 | 263005-3 | vymezovací čep 6 | | 2 | | |
| 047 | 424721-4 | RUBBER RING 115 | | 1 | | gumov |
| 048 | 422879-3 | GROMMET | | 1 | | pr |
| 049 | 413X95-2 | CAP | | 1 | | v |
| 050 | 266130-9 | šroub PT 3X | | 3 | | |
| 051 | 620N68-0 | CONTROLLER | | 1 | | elektronika |
| 052 | 413Y00-5 | CONTROLLER CASE COVER | | 1 | | kryt elektroniky |
| 053 | 266326-2 | šroub 4x18=new265995-6 | | 4 | | |
| 054 | 413X96-0 | FRONT PIPE | | 1 | | trubka |
| 055 | 413X99-4 | FLEXIBLE PIPE 118 | | 1 | | trubka |
| 056 | 413Y01-3 | SWIVEL RING | | 1 | | obj |
| 057 | 122G27-3 | HOSE CLAMP 120 ASSEMBLY | | 2 | | spona 120 |
| C10 | 911258-5 | šroub M5x35 = old 290028 | | 2 | | |
| C20 | 252103-8 | zajišťovací šroub M5-8 | | 2 | | |
| 058 | 413Y02-1 | MIDDLE PIPE | | 1 | | st |
| 059 | 141V13-5 | PIPE COMPLETE | | 1 | | trubka komplet |
| 060 | 413Y52-6 | LOCK RING | | 1 | | up |
| 061 | 413Y04-7 | END NOZZLE 81 | | 1 | | koncov |
| 062 | 312E43-3 | TOP HOLDER | | 1 | | horn |
| 063 | 922233-6 | H.S.H.BOLT M5X20 WITH WR | | 4 | | |
| 064 | 141V12-7 | FRAME COMPLETE | | 1 | | dr |
| C10 | 8073L7-7 | INDICATION LABEL | | 1 | | |
| 065 | 312E44-1 | BOTTOM HOLDER | | 1 | | spodn |
| 066 | 922243-3 | Hex. Socket Head Bolt M5 | | 2 | | |
| 067 | 265620-9 | TAPPING SCREW FLANGE 4X18 | | 2 | | |
| 068 | 266021-4 | šroub Pt 5x20 | | 3 | | |
| 069 | 922213-2 | H.S.H.BOLT M5X12 WITH WR | | 3 | | |
| 070 | 457458-8 | CLAMP | | 2 | | spona |
| 071 | 162D16-8 | PIPE FRAME COMPLETE | | 1 | | kovov |
| 072 | 183W34-7 | FOOT HOUSING SET | | 2 | | krytka cpl. |
| 073 | 266326-2 | šroub 4x18=new265995-6 | | 4 | | |
| 074 | 1830J4-8 | FOOT HOUSING R SET | | 2 | | podlo |
| 075 | 266326-2 | šroub 4x18=new265995-6 | | 4 | | |
| 076 | 253783-3 | podložka 6 | | 1 | | podlo |
| 077 | 922243-3 | Hex. Socket Head Bolt M5 | | 1 | | |
| 078 | 413Y05-5 | PIPE FRAME COVER | | 2 | | kryt r |
| 079 | 266021-4 | šroub Pt 5x20 | | 4 | | |
| 080 | 347C24-6 | BRACKET | | 1 | | konzola |

| | | | | | | |
|-----|----------|------------------------------------|--|---|--|---------|
| 081 | 265D60-5 | HEX.SOCKET BUTTON HEAD BOL T M5 | | 2 | | |
| 082 | 265620-9 | TAPPING SCREW FLANGE 4X18 | | 4 | | |
| 083 | 162D22-3 | BAND COMPLETE | | 1 | | popruhy |
| 084 | 8143E9-7 | UB004C NAME PLATE | | 1 | | |
| 086 | 162D23-1 | CUSHION COMPLETE | | 1 | | bedern |
| A01 | 162D24-9 | PIPE SUPPORT BELT COMPLETE | | 1 | | |
| A02 | 162D25-7 | PIPE BELT COMPLETE | | 1 | | |
| A03 | 1914H0-2 | END NOZZLE 74 SET | | 1 | | |
| A04 | 1914H1-0 | FLAT NOZZLE SET | | 1 | | |
| A05 | 162D24-9 | PIPE SUPPORT BELT COMPLETE | | 1 | | |
| E01 | 891805-7 | SOUND 98DB LABEL | | 1 | | |

Prosím uveďte objednáací číslo dílu v objednávce

Datum tisku 08. 11. 2024