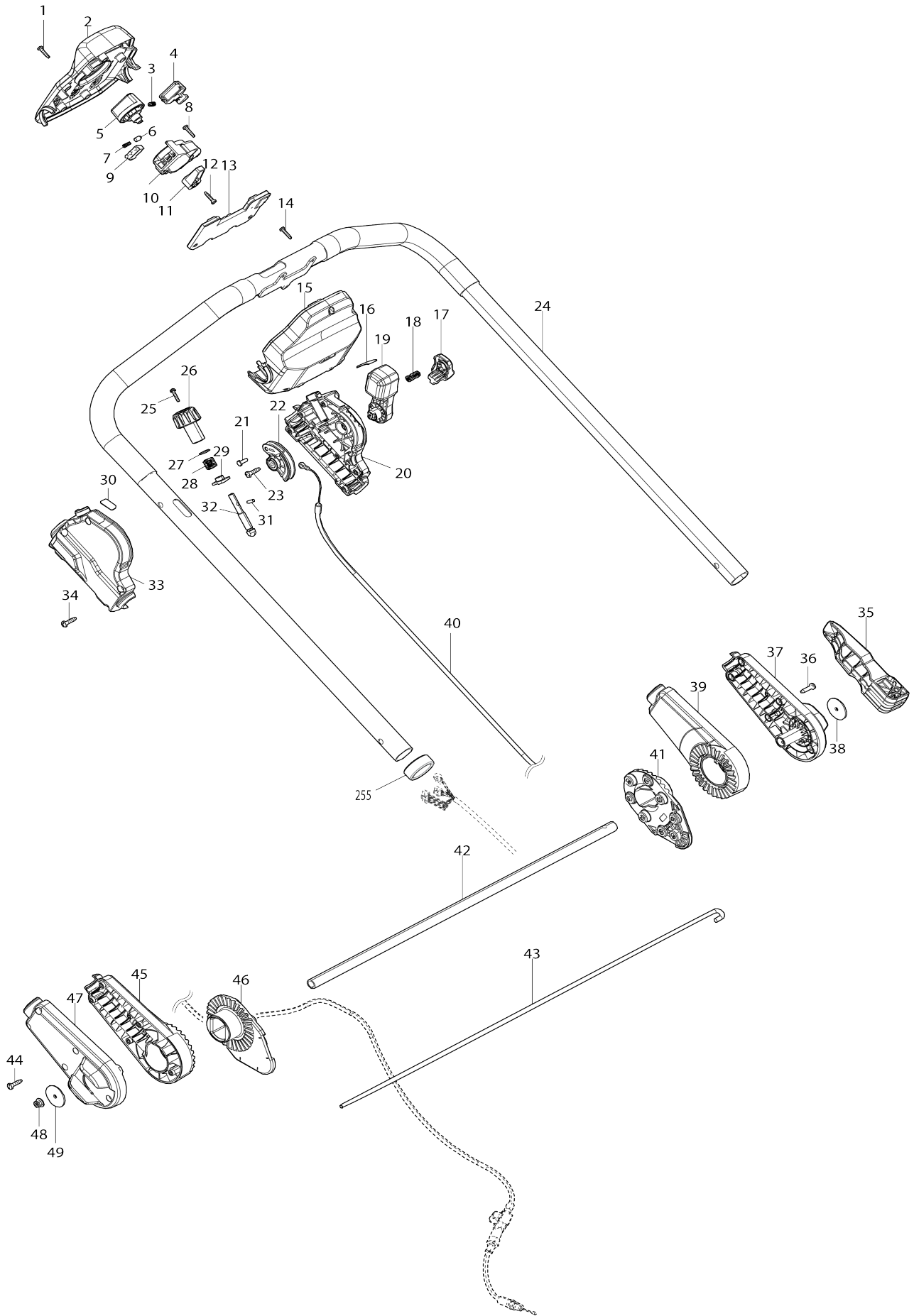
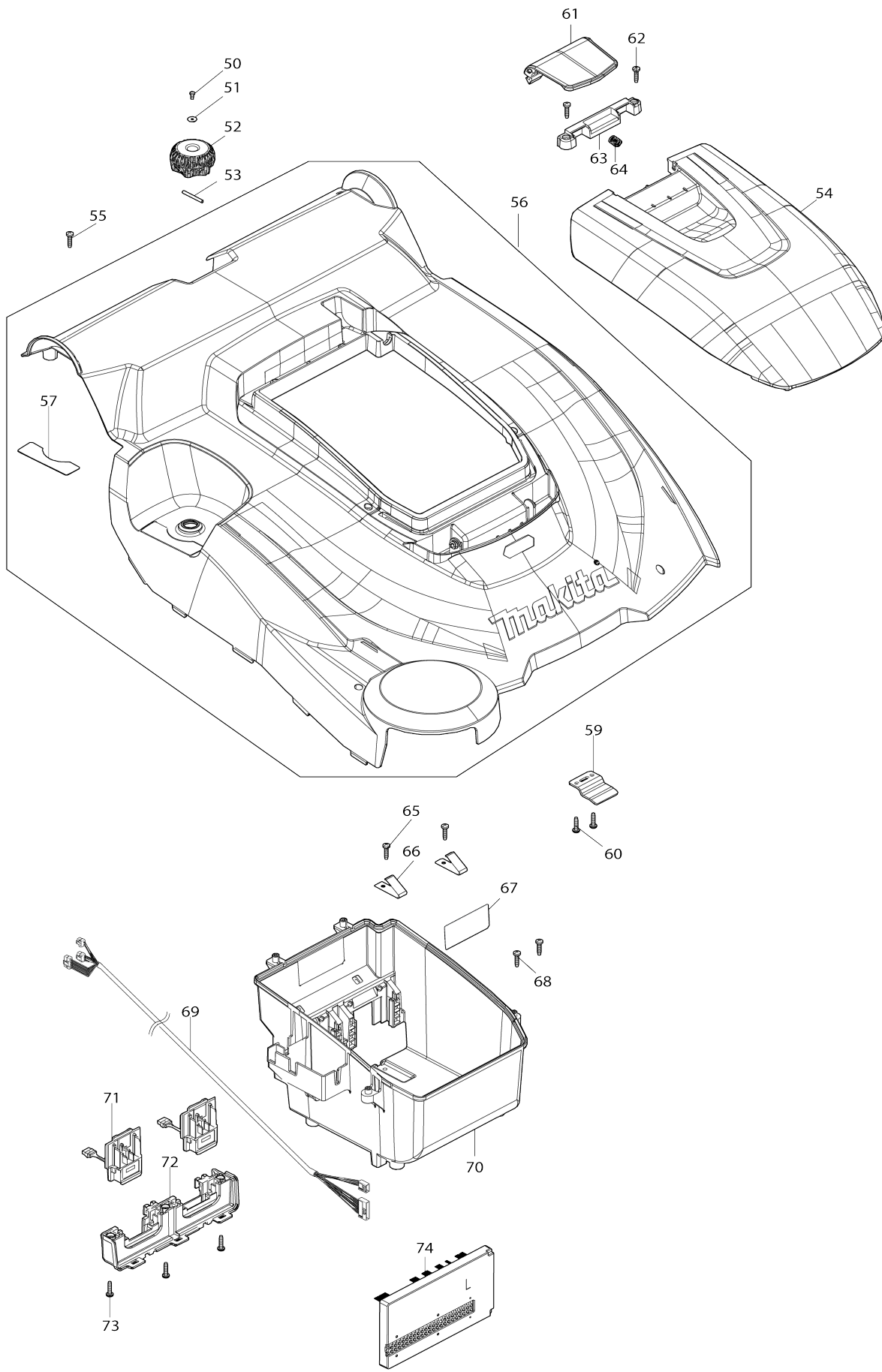


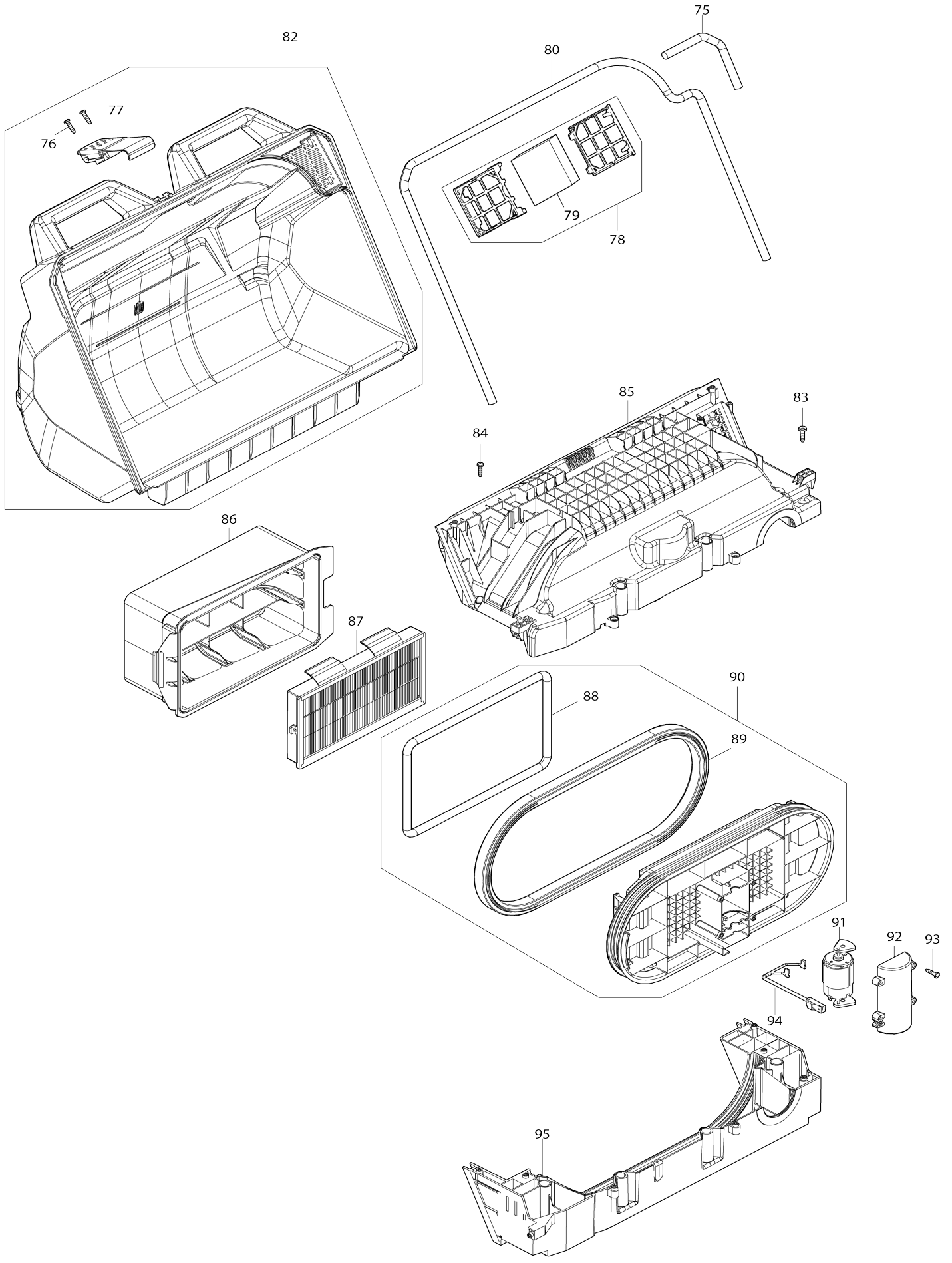
# Model No.VS001G CORDLESS VACUUM SWEEPER



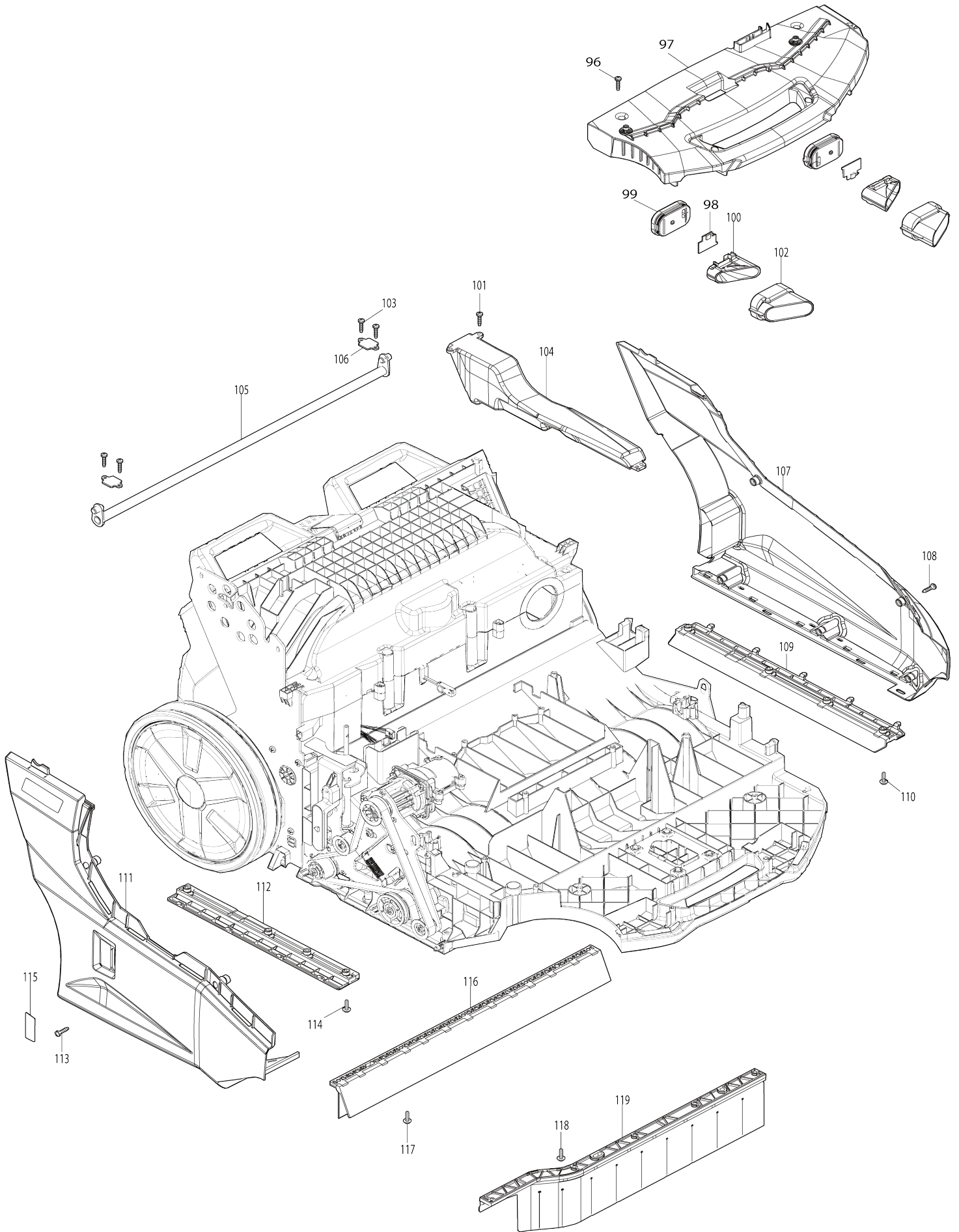
# Model No.VS001G CORDLESS VACUUM SWEEPER



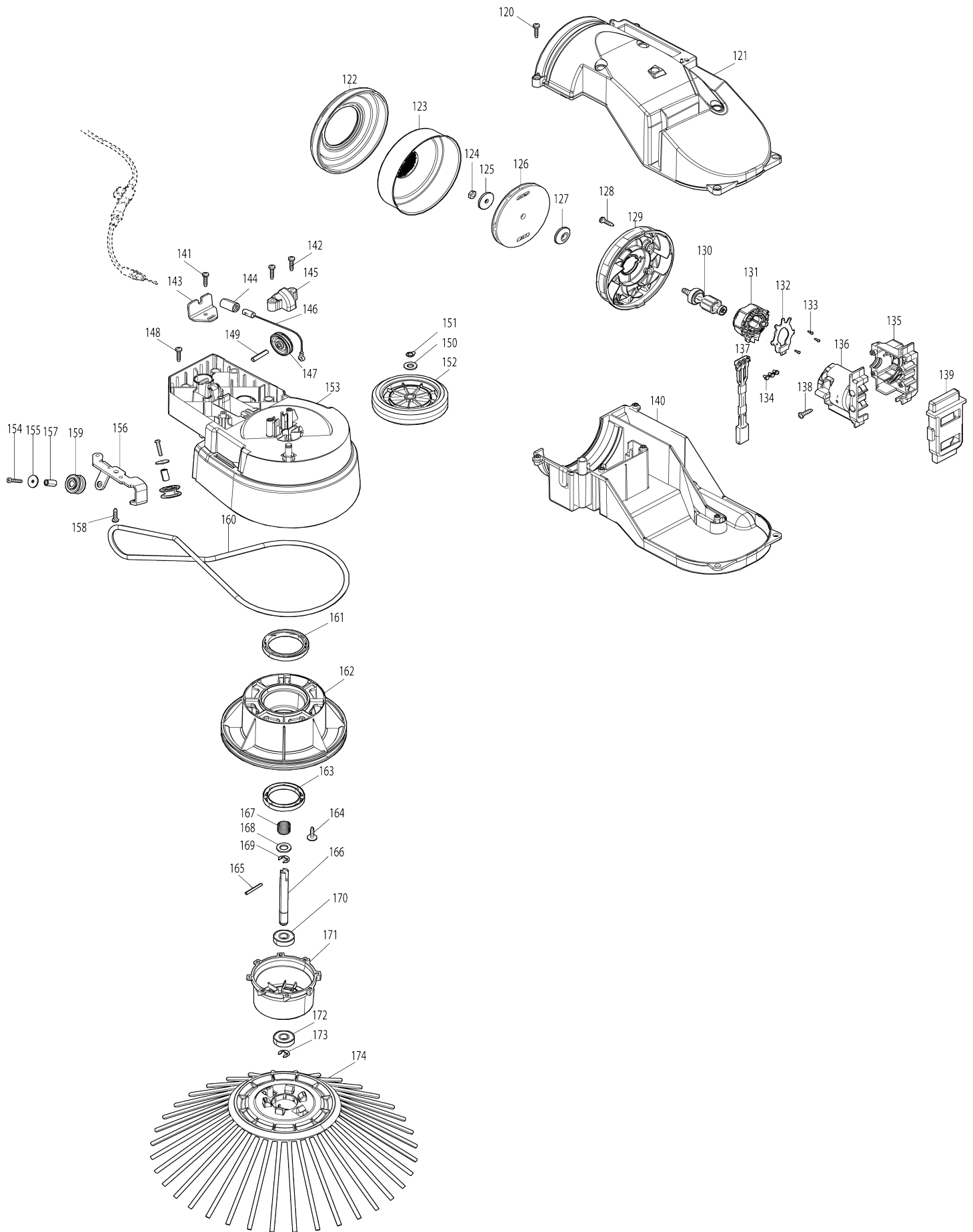
# Model No.VS001G CORDLESS VACUUM SWEEPER



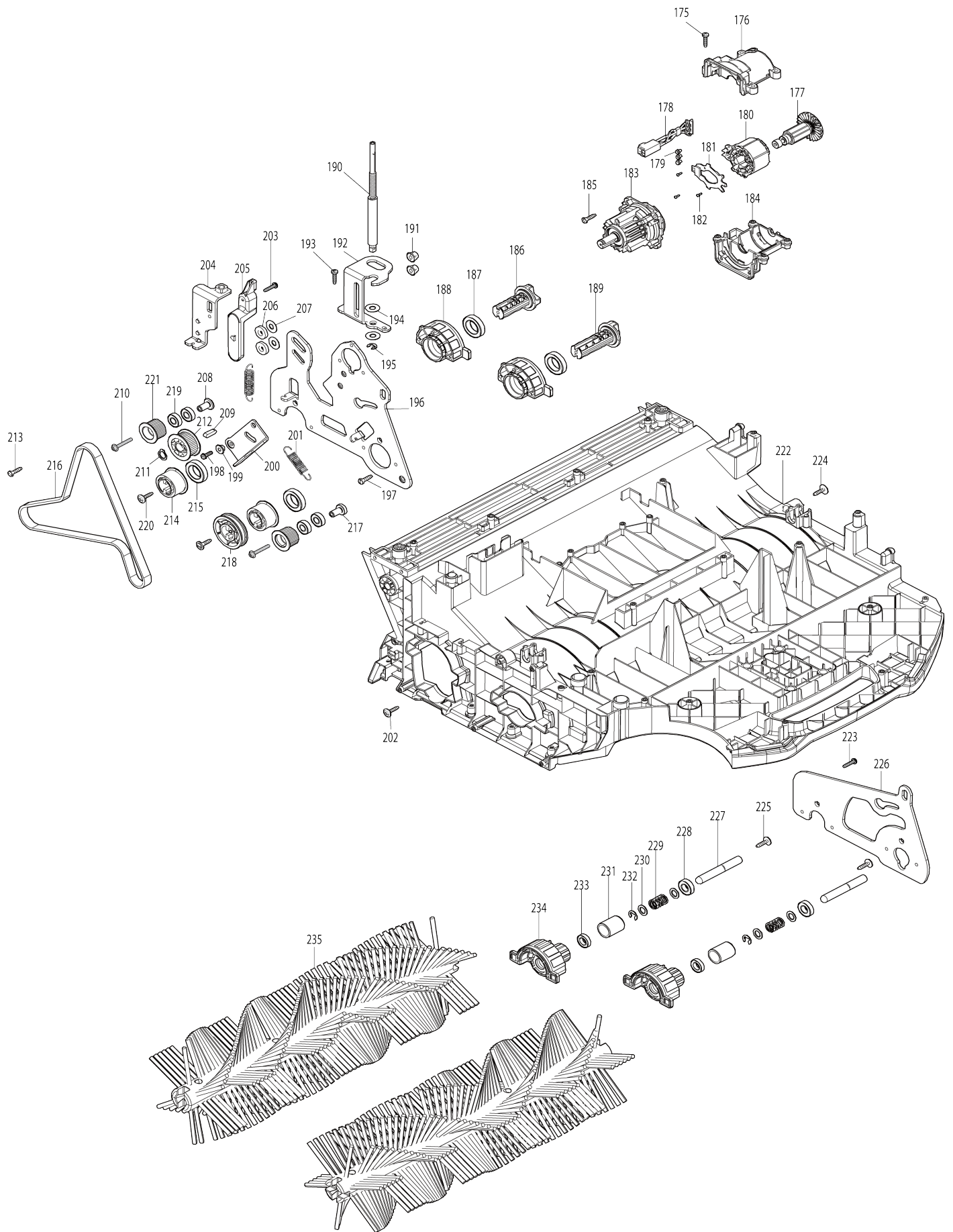
# Model No.VS001G CORDLESS VACUUM SWEEPER



# Model No.VS001G CORDLESS VACUUM SWEEPER

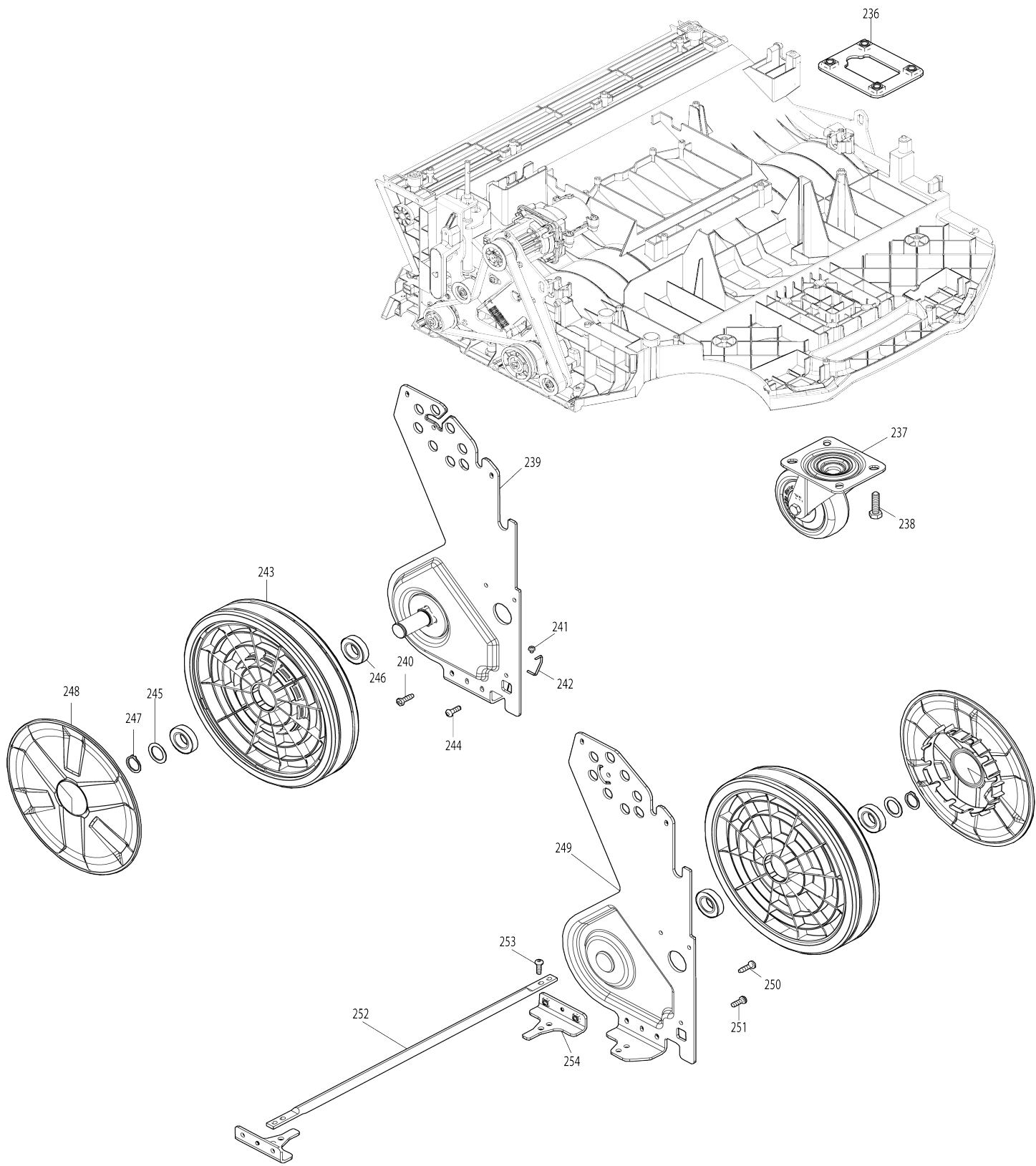


# Model No.VS001G CORDLESS VACUUM SWEEPER





# Model No.VS001G CORDLESS VACUUM SWEEPER



**Model No.VS001G CORDLESS VACUUM SWEEPER**

Obj. č.	Obj. č.	Popis	Možn ost zá měny	Množ ství	Nový/ Starý	Poznámka 1	Poznámka 2
001	266429-2	TAPPING SCREW 3X16		5			
002	1830P2-4	SWITCH CASE SET		1		kryt vyp	
002		INC. 15					
003	232386-6	COMPRESSION SPRING 4		1			
004	413U45-9	LOCK OFF BUTTON		1		vyp	
005	413U44-1	SWITCH DIAL		1		regulace	
006	347B85-0	PLUNGER CAP		1		kryt	
007	233188-3	vinutá pružina 2.4		1		vinut	
008	266429-2	TAPPING SCREW 3X16		2			
009	632V26-2	SWITCH UNIT		1		vyp	
010	413U43-3	SWITCH LEVER CASE		1		pouzdro vyp	
011	413U46-7	SWITCH LEVER		1		p	
012	266429-2	TAPPING SCREW 3X16		1			
013	620J57-1	SWTCH CIRCUIT		1		deska vyp	
014	266429-2	TAPPING SCREW 3X16		3			
015	1830P2-4	SWITCH CASE SET		1		kryt vyp	
015		INC. 2					
016	8074D9-3	OPERATIONAL INDICATION LAB EL		1			
017	413U51-4	BUTTON		1		tla	
018	234013-1	COMPRESSION SPRING 5		1			
019	413U50-6	SIDE BRUSH LEVER		1		p	
020	1830T9-8	LEVER CASE SET		1		pouzdro regulace	
020		INC. 16,30,33					
021	256A47-0	FLAT FILLISTER HEAD PIN 4		1			
022	413U49-1	CABLE GUIDE		1		veden	
023	265995-6	šroub 4x18 = old 265941-9		1			
024	327C57-7	HANDLE		1		rukoje	
025	911028-2	pan head screw M3x16		1			
026	413U48-3	THUMB SCREW DIAL		1		regulace	
027	941151-9	podložka 6 = old 253047-5		1		podlo	
028	232840-0	COMPRESSION SPRING 11		1		pru	
029	252335-7	WELD NUT M8 TYPE T		1		matice	
030	8074E1-6	OPERATIONAL INDICATION LAB EL		1			
031	256255-7	PIN 3		1			
032	327C58-5	DIAL SHAFT M8		1		h	
033	1830T9-8	LEVER CASE SET		1		pouzdro regulace	
033		INC. 16,20,30					
034	265995-6	šroub 4x18 = old 265941-9		5			
035	122F51-0	HANDLE LEVER ASSEMBLY		1		p	
036	265995-6	šroub 4x18 = old 265941-9		5			
037	1830G6-3	HANDLE CAM SET		1		pouzdro bajonetu	
037		INC. 39					
038	267136-0	podložka 5		1		podlo	
039	1830G6-3	HANDLE CAM SET		1		pouzdro bajonetu	
039		INC. 37					
040	162C92-6	LINK CABLE B		1		kabel	
041	413U40-9	HANDLE CAM B		1		dr	



042	327C59-3	HANDLE PIPE		1		trubka rukojeti	
043	327C60-8	HANDLE LEVER LINK M5		1		h	
044	265995-6	šroub 4x18 = old 265941-9		5			
045	1830G6-3	HANDLE CAM SET		1		pouzdro bajonetu	
045		INC. 47					
046	413U40-9	HANDLE CAM B		1		dr	
047	1830G6-3	HANDLE CAM SET		1		pouzdro bajonetu	
047		INC. 45					
048	252286-4	COLLARED HEX.LOCK NUT M5-8		1		matka M5-8 DUB184 =old252103-8	
049	267136-0	podložka 5		1		podlo	
050	911007-0	924309		1			
051	253821-1	podložka 3 6791DW		1		podlo	
052	413U60-3	MAIN BRUSH DIAL		1		regulace hlavn	
053	268182-6	PIN 3		1			
054	413U57-2	BATTERY COVER		1		kryt akumul	
055	265995-6	šroub 4x18 = old 265941-9		7			
056	137135-5	TOP COVER ASSEMBLY		1		vrchn	
C10	422756-9	SPONGE SEAL		1			
056		INC. 57					
057	8074E3-2	OPERATIONAL INDICATION LABEL		1			
059	347B86-8	TOP COVER PLATE		1			
060	265995-6	šroub 4x18 = old 265941-9		2			
061	413U58-0	LATCH		1		spona	
062	265995-6	šroub 4x18 = old 265941-9		2			
063	413U59-8	BATTERY HOOK BASE		1		dr	
064	234391-9	COMPRESSION SPRING 8		1		pru	
065	265995-6	šroub 4x18 = old 265941-9		2			
066	232818-3	LEAF SPRING		2		pru	
067	8143U6-5	VS001G NAME PLATE		1			
068	265995-6	šroub 4x18 = old 265941-9		2			
069	699233-8	POWER SUPPLY CORD UNIT		1		kabel	
070	1830F8-2	BATTERY HOLDER SET		1		dr	
C10	263005-3	vymezovací čep 6		4			
070		INC. 72					
071	632R99-1	TERMINAL UNIT		2		terminal	
072	1830F8-2	BATTERY HOLDER SET		1		dr	
C10	263005-3	vymezovací čep 6		4			
072		INC. 70					
073	265995-6	šroub 4x18 = old 265941-9		3			
074	620J56-3	CONTROLLER		1		elektronika	
075	422A72-5	SEAL B		1		t	
076	265995-6	šroub 4x18 = old 265941-9		2			
077	162C93-4	HOOK		1			
078	137060-0	SPONGE CASE ASSEMBLY		1		pouzdro t	
078		INC. 79					
079	422B41-2	SPONGE SHEET		1			
080	422A71-7	SEAL A		1		t	
082	137059-5	DUST CONTAINER ASSEMBLY		1		n	
082		INC. 76,77					
083	266021-4	šroub Pt 5x20		4			

084	265995-6	šroub 4x18 = old 265941-9		7		
085	413U13-2	DUCT UPPER		1		horn
086	162C89-5	PRE FILTER		1		p
087	162699-0	MAIN FILTER H		1	*	hlavn
087-1	191D12-9	MAIN FILTER H SET	O	1		filtr sada
088	422A68-6	SEAL RING B		1		
089	422A69-4	SEAL RING A		1		
090	137057-9	FILTER HOLDER ASSMBLY		1		dr
090		INC. 88,89				
091	141S69-0	MOTOR COMPLETE		1		motor
092	413U12-4	MOTOR COVER		1		kryt motoru
093	265995-6	šroub 4x18 = old 265941-9		4		
094	638A81-6	LEAD UNIT		1		
095	141S67-4	DUCT LOWER COMPLETE		1		dr
096	265995-6	šroub 4x18 = old 265941-9		5		
097	413U04-3	HANDLE COVER		1		kryt rukojeti
098	620J60-2	LED CIRCUIT		1		elektronika LED
099	422A66-0	RUBBER CAP		2		gumov
100	413U05-1	REFLECTOR		2		reflektor
101	265995-6	šroub 4x18 = old 265941-9		4		
102	413U06-9	LENS		2		
103	265995-6	šroub 4x18 = old 265941-9		4		
104	162C91-8	TUBE COMPLETE		1		dr
105	327C55-1	BRUSH PLATE LINK		1		trubka
106	346525-3	PLATE		2		deska DJR143 DJR183 DJR185 JR103D JR105 D
107	1830T8-0	SIDE COVER SET		1		bo
107		INC. 111,115				
108	265995-6	šroub 4x18 = old 265941-9		5		
109	413U02-7	SIDE LIP L		1		bo
110	911129-6	PAN HEAD SCREW M4X16		4		
111	1830T8-0	SIDE COVER SET		1		bo
111		INC. 107,115				
112	413U01-9	SIDE LIP R		1		bo
113	265995-6	šroub 4x18 = old 265941-9		5		
114	911129-6	PAN HEAD SCREW M4X16		4		
115	8074E5-8	INDICATION LABEL		1		
116	413U03-5	REAR LIP		1		zadn
117	911129-6	PAN HEAD SCREW M4X16		5		
118	911129-6	PAN HEAD SCREW M4X16		5		
119	413U00-1	FRONT LIP		1		
120	265995-6	šroub 4x18 = old 265941-9		9		
121	1830G2-1	SILENCER SET		1		kryt komplet
121		INC. 140				
122	422376-9	SUPPORT RING		1		krou
123	161804-6	FAN COVER		1		
124	252268-6	HEX. NUT M6		1		
125	322407-3	WASHER 6		1		
126	241851-4	větrák 94		1		v
127	313062-2	FLANGE		1		p
128	265995-6	šroub 4x18 = old 265941-9		3		

129	456736-3	FAN BASE		1		t	
130	619517-8	ROTOR		1		rotor DVC260 =old 61 9395-6	
131	629C31-4	STATOR		1		stator	
132	620J58-9	CONTROLLER B		1		elektronika	
133	266490-9	TAPPING SCREW PT 2X6		3			
134	652069-6	FLAT HEAD SCREW M3X6		3			
135	1830G7-1	MOTOR HOUSING SET		1		kryt motoru	
135		INC. 136					
136	1830G7-1	MOTOR HOUSING SET		1		kryt motoru	
136		INC. 135					
137	632V04-2	LEAD UNIT		1			
138	265995-6	šroub 4x18 = old 265941-9		4			
139	424837-5	SUPPORT A		1		podp	
140	1830G2-1	SILENCER SET		1		kryt komplet	
140		INC. 121					
141	265995-6	šroub 4x18 = old 265941-9		1			
142	265995-6	šroub 4x18 = old 265941-9		2			
143	347B83-4	CABLE PLATE		1		dr	
144	422A89-8	CAP		1		v	
145	413U29-7	ROLLER COVER		1		kryt veden	
146	162C90-0	LINK CABLE A		1		kabel	
147	413U28-9	LINK CABLE ROLLER		1		kabel	
148	265995-6	šroub 4x18 = old 265941-9		3			
149	256186-0	PIN 5		1			
150	941202-8	podložka 8		1		podlo	
151	961004-6	segrovka S-8		1		segrovka S-8	
152	413U26-3	ROLLER		1		veden	
153	413U25-5	SIDE BRUSH HOLDER		1	*	dr	
153-1	4132S8-4	SIDE BRUSH HOLDER	<	1			
154	911137-7	PAN HEAD SCREW M4X20		2			
155	267491-0	FLAT WASHER 4		2		podlo	
156	347B84-2	PULLEY HOLDER		1		dr	
157	257A22-9	SLEEVE 4		2		pouzdro 4	
158	265995-6	šroub 4x18 = old 265941-9		2			
159	222211-9	GUIDE PULLEY 6.2-19.7		2		veden	
160	225110-4	ROUND BELT 6-860		1		p	
161	211293-6	BALL BEARING 6809LLB		1		lo	
162	222210-1	ROUND PULLEY 6.2-149.6		1		kladka 6.2-149.6	
163	210229-2	BALL BEARING 6808LLB		1		lo	
164	265620-9	TAPPING SCREW FLANGE 4X18		5			
165	256267-0	PIN 3		1			
166	327C56-9	SIDE BRUSH SHAFT		1		h	
167	232841-8	COMPRESSION SPRING 14		1		pru	
168	941252-3	podložka 10		1		podlo	
169	961013-5	zajišťovací kroužek		1		zaji	
170	210141-6	BALL BEARING 6000DDW		1		lo	
171	413U27-1	BRUSH LOCK		1			
172	210141-6	BALL BEARING 6000DDW		1		lo	
173	961013-5	zajišťovací kroužek		1		zaji	
174	1830S6-7	SIDE BRUSH REPAIR SET		1		sada bo	
175	265995-6	šroub 4x18 = old 265941-9		4			

176	1830G8-9	MOTOR CASE SET		1		kryt motoru	
176		INC. 184					
177	619826-5	ROTOR		1		rotor	
178	632V03-4	LEAD UNIT		1			
179	652069-6	FLAT HEAD SCREW M3X6		3			
180	629C30-6	STATOR		1		stator	
181	620J59-7	CONTROLLER B		1		elektronika	
182	266490-9	TAPPING SCREW PT 2X6		3			
183	122F46-3	GEAR ASSEMBLY		1		p	
184	1830G8-9	MOTOR CASE SET		1		kryt motoru	
184		INC. 176					
185	265995-6	šroub 4x18 = old 265941-9		4			
186	413U20-5	PULLEY SHAFT R		1		h	
187	211333-0	BALL BEARING 6804LLU		2		lo	
188	413U19-0	BEARING HOLDER R		2		pouzdro lo	
189	413U22-1	PULLEY SHAFT F		1		h	
190	327C53-5	DIAL SHAFT		1		regulace	
191	252301-4	HEX. FLANGE LOCK NUT M6-10		2			
192	347B81-8	DIAL BASE		1		dr	
193	265995-6	šroub 4x18 = old 265941-9		2			
194	253139-0	podložka 8		2		podlo	
195	961012-7	zajišťovací kroužek		1			
196	347B78-7	BRUSH PLATE R		1		dr	
197	265995-6	šroub 4x18 = old 265941-9		4			
198	911123-8	šroub M4x14		2			
199	257A19-8	COLLARED SLEEVE 4C		2		pouzdro 4C	
200	347B79-5	TENSION PLATE		1		dr	
201	232839-5	TENSION SPRING 9		2		pru	
202	251599-0	TAPPING SCREW 4X18		1			
203	265995-6	šroub 4x18 = old 265941-9		1			
204	347B80-0	HEIGHT ADJUST PLATE		1		dr	
205	413U23-9	HEIGHT INDICATOR		1		indik	
206	262212-5	RUBBER RING 8		2		gomov	
207	253139-0	podložka 8		2		podlo	
208	257A20-3	COLLARED SLEEVE 4B		1		pouzdro 4B	
209	254220-0	klínek 5 HR4501C/10C/11C		1		kl	
210	911159-7	PAN HEAD SCREW M4X30		2			
211	961052-5	segrovka vnější S-12		1		segrovka	
212	222206-2	PULLEY 14-33.6		1		kladka 14-33.6	
213	265995-6	šroub 4x18 = old 265941-9		3			
214	222208-8	PULLEY 17.5-33.6		2		kladka 17.5-33.6	
215	211333-0	BALL BEARING 6804LLU		2		lo	
216	225109-9	SYNCHRO BELT 12-699		1	*		
216-1	225109-9	SYNCHRO BELT 12-699	O	1			
217	257A18-0	COLLARED SLEEVE 4A		1		pouzdro 4A	
218	222209-6	ROUND PULLEY 6.2-45.7		1		kladka 6.2-45.7	
219	211166-3	BALL BEARING 698DDW		4		lo	
220	265620-9	TAPPING SCREW FLANGE 4X18		2			
221	222207-0	PULLEY 17-26.0		2		kladka 17-26.0	
222	141V27-4	BODY COMPLETE		1		t	
C10	8074F0-5	CAUTION LABEL		1			
223	265995-6	šroub 4x18 = old 265941-9		4			

224	251599-0	TAPPING SCREW 4X18		1		
225	265620-9	TAPPING SCREW FLANGE 4X18		2		
226	347B82-6	BRUSH PLATE L		1	dr	
227	327C54-3	BRUSH SHAFT		2	h	
228	210069-8	BALL BEARING 6900DDW		2	kuli	
229	234245-0	COMPRESSION SPRING 12		2		
230	267047-9	podložka 10		4	podlo	
231	257A21-1	SLEEVE 17		2	pouzdro 17	
232	961013-5	zajišťovací kroužek		2	zaji	
233	211485-7	BALL BEARING 6800LLU		2	lo	
234	413U24-7	BEARING HOLDER L		2	pouzdro lo	
235	1830S5-9	MAIN BRUSH REPAIR SET		2	hlavn	
236	347B77-9	CASTER PLATE		1	dr	
237	162C86-1	CASTER 100		1	kole	
238	921452-1	Schraube M8x30		4		
239	162D12-6	TIRE PLATE R		1	dr	
240	266021-4	šroub Pt 5x20		3		
241	911103-4	šroub M4x6		1		
242	649153-6	EARTH LINE 90		1	uzem	
243	413U08-5	REAR TIRE		2	zadn	
244	265487-5	H.S. BUTTON HEAD BOLT M5X16		2		
245	267380-9	FLAT WASHER 20		2	podlo	
246	211323-3	kuličkové ložisko 6904LLU		4	kuli	
247	961060-6	segrovka vnější S-20		2	segrovka vn	
248	413U09-3	REAR TIRE CAP		2	v	
249	162D13-4	TIRE PLATE L		1	dr	
250	266021-4	šroub Pt 5x20		3		
251	265487-5	H.S. BUTTON HEAD BOLT M5X16		2		
252	327C51-9	DUST CONTAINER SHAFT		1	h	
253	265487-5	H.S. BUTTON HEAD BOLT M5X16		4		
254	347C05-0	SHAFT PLATE		2	dr	
255	688289-6	LINE FILTER		1	st	
E01	8074F1-3	SOUND LABEL		1		

Prosím uveďte objednáčíslo dílu v objednávce

Datum tisku 08. 11. 2024